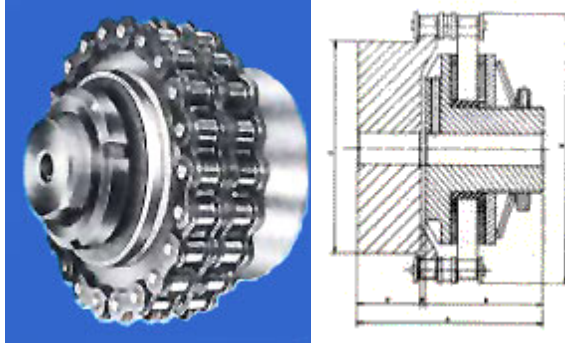




## CHAIN TYPE



For overload slip protection combined with the ability to couple driving and driven shafts. Wiperdrive offers a Torque limiter coupling in 7 sizes. This device consists of a stock Torque limiter and roller chain type coupling. The torque limiter coupling combines overload slip-protection with the ability to couple driving and driven shafts. It is an assembly consisting of a standard torque limiter and a roller chain coupling. A stock ground Plato sprocket serves as the centre member of the torque limiter, and it is coupled to a sprocket by an I.S. double strand roller chain which is easily connected by a standard connecting link. This construction provides a dependable and easy to assemble flexible coupling having shaft misalignment compensation.

SIZE	MISALIGNMENT		TORQUE CAPACITY KG. M.		MAX. BORE		STOCK MIN.		A	B	C	D	E	F	APPROX WT.kgs.
							PLAIN BORE								
	MAX. PARALLEL	MAX ANGULAR	MIN.	MAX.	TORQUE LIMITER (MM)	CPLG. SPKT(MM)	TORQUE LIMITER	CPLG. SPKT(MM)							
50-M1C	0.2	1/2	0.3	1.5	16	28	8	10	55	71	50	24	29	2	1.0
50-M2C			0.6	2.5											
65-M1C	0.25	1/2	.7	2.8	22	48	10	16	78	96	74	255	50	3	2.04
65-M2C			1.4	5.6											
90-M1C	0.30	1/2	2.0	7.0	28	56	12	16	108	130	100	40	65	3	5.22
90-M2C			3.5	14.0											
125-M1C	0.38	1/2	5.0	18.0	38	70	19	25	123	178	145	42	78	3	12.27
125-M2C			6.5	36.0											
150-M1C	0.38	1/2	7.5	44.0	42	90	25	25	143	206	168	50	90	3	14.00
150-M2C			9.0	61.0											
180-M1C	0.50	1/2	11.0	58.0	64	100	25	25	172	238	195	64	105	3	31.36
180-M2C			22.0	110.0											
225-M1C	0.70	1/2	20.0	140.0	92	160	30	40	205	308	244	82	120	3	39.90
225-M2C			40.0	175.0											

11, VASTA HOUSE, GR. FLOOR, JANMABOOMI MARG,  
FORT, MUMBAI - 400001, INDIA.

TEL: 91-22-22844307/22871995/22872449

FAX: 91-22-22873597/22870770

E-mail: [info@wiperdrive.com](mailto:info@wiperdrive.com), WEB SITE: [www.wiperdrive.com](http://www.wiperdrive.com)