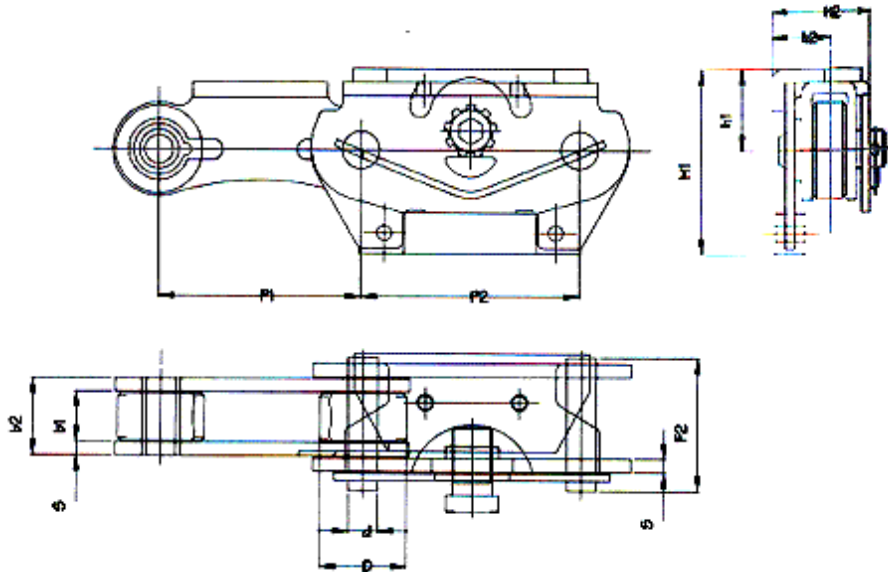




STENTER CHAIN



CHAIN NO	P1	P2	D MAX	B1 MIN	B2	D MAX	F2 MAX	H1 MAX	H2	H1	H2 MAX	S
T60001	60.00	65.00	25.82	15.00	23.00	11.83	42.20	56.00	36.25	24.00	20.25	4.00

11, VASTA HOUSE, GR. FLOOR, JANMABOOMI MARG,
FORT, MUMBAI - 400001, INDIA.

TEL: 91-22-22844307/22871995/22872449

FAX: 91-22-22873597/22870770

E-mail: info@wiperdrive.com, WEB SITE: www.wiperdrive.com