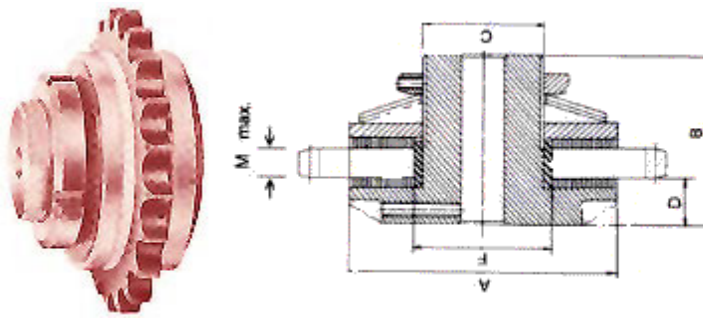




## SPROCKET TYPE



Torque limiter is a protective device that limits torque transmitted in a drive system by slipping when torque demand exceeds a preset value as a result of shock load, over loads, or machine jams. It automatically re-engages when overload torque has passed, no resetting is required. The torque limiter prevents machine damage and eliminates costly downtime. The torque limiter utilizes spring loaded friction surface for its operations; slip torque is preset by adjustment of the spring force. The torque limiter can be used with sprocket, gear, sheave or flange plate as a centre member that is clamped between two friction facings.

SIZE	MIN.	MAX.	MIN. BORE	MAX. BORE	APPROX WT-KG.	A	B	C	D	M.MAX.	'F' SPROCKET BORE DIA OVER BUSHING
50-M1	0.3	1.5	8.0	16	0.30	50	29	24	6.0	7.2	30.00
50-M2	0.6	2.5	8.0	16	0.33	50	29	24	6.0	7.2	30.00
65-M1	0.7	2.8	9.6	22	0.40	65	50	35	15	8.8	41.40
65-M2	1.4	5.5	9.6	22	0.40	65	50	35	15	8.8	41.40
90-M1	2.0	7.0	12.7	28	1.12	90	65	45	18	16.0	52.00
9-M2	3.5	14.0	12.7	28	1.12	90	65	45	18	16.0	52.00
125-M1	5.0	18.0	19.0	38	3.00	125	78	60	23	16.0	70.00
125-M2	6.5	36.0	19.0	38	3.00	125	78	60	23	16.0	70.00
150-M1	7.5	44.0	25.0	42	4.20	150	90	70	27	23.0	80.00
150-M2	9.0	61.0	25.0	42	4.20	150	90	70	27	23.0	80.00
180-M1	11.0	58.0	25.0	64	6.82	180	105	105	27	28.5	110.00
180-M2	20.0	110.0	25.0	64	6.82	180	105	105	27	28.5	110.00
225-M1	22.0	140.0	30.0	92	12.70	230	120	120	33	28.5	152.00
225-M2	40.0	175.0	30.0	92	12.70	230	120	120	33	28.5	152.00

11, VASTA HOUSE, GR. FLOOR, JANMABOOMI MARG,  
FORT, MUMBAI-400001, INDIA.

TEL: 91-22-22844307/22871995/22872449

FAX: 91-22-22873597/22870770

E-mail: [info@wiperdrive.com](mailto:info@wiperdrive.com), WEB SITE: [www.wiperdrive.com](http://www.wiperdrive.com)