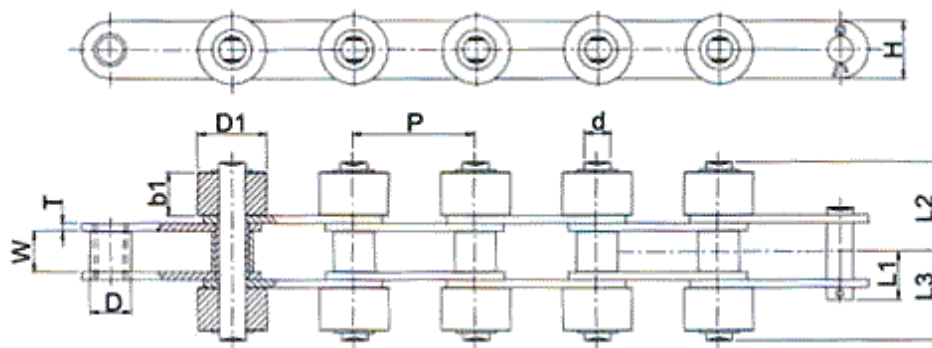
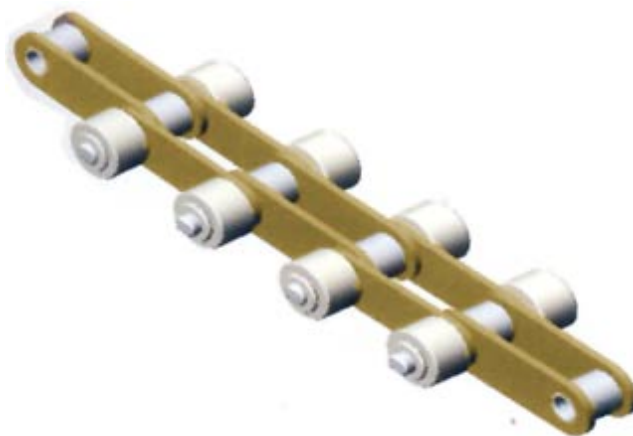




SIDE ROLLER CHAIN



AMERICAN SERIES

| INTL. REF. NO. | CHAIN NO. | PITCH (P) | WIDTH BETWEEN INNER PLATES (W)(MIN) | ROLLER DAI(D) (MAX) | PLATE | | PIN | | | OUTBOARD ROLLER | | MATERIAL | | |
|----------------|--------------|-----------|-------------------------------------|---------------------|-------|-------|------|-------|-------|-----------------|-------|----------|-------|---------|
| | | | | | (T) | (H) | (D) | (L1) | (L2) | (L3) | (D1) | (B1) | STEEL | PLASTIC |
| C2040 | A 08A01 SR01 | 25.40 | 7.85 | 7.94 | 1.50 | 11.66 | 3.96 | 9.65 | 17.90 | 19.30 | 15.88 | 7.80 | √ | √ |
| C2050 | A 10201 SR01 | 31.75 | 9.40 | 9.40 | 2.0 | 14.58 | 5.08 | 11.90 | 21.60 | 23.20 | 19.05 | 9.40 | √ | √ |
| C2060 | A 12101 SR01 | 38.10 | 12.58 | 12.58 | 2.39 | 18.06 | 5.94 | 16.95 | 29.65 | 32.05 | 22.23 | 12.60 | √ | √ |
| C2080 | A 16101 SR01 | 50.80 | 15.75 | 15.75 | 4.00 | 24.05 | 7.92 | 20.95 | 36.65 | 39.65 | 28.58 | 15.80 | √ | √ |
| C2100 | A 20101 SR01 | 63.50 | 18.90 | 18.90 | 4.70 | 29.26 | 9.53 | 24.50 | 44.20 | 47.30 | 39.69 | 19.00 | √ | √ |

11, VASTA HOUSE, GR. FLOOR, JANMABOOMI MARG,

FORT, MUMBAI - 400001, INDIA.

TEL: 91-22-22844307/22871995/22872449

FAX: 91-22-22873597/22870770

E-mail: info@wiperdrive.com, WEB SITE: www.wiperdrive.com