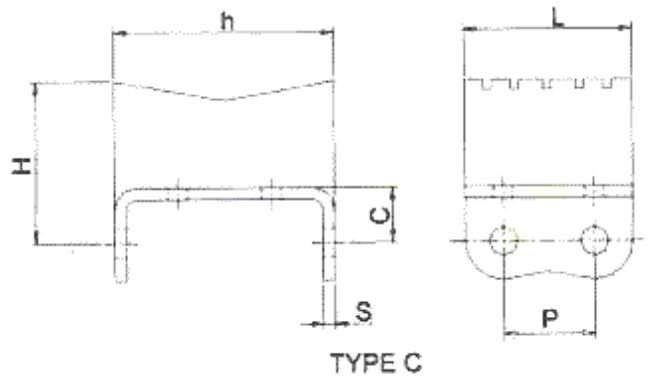
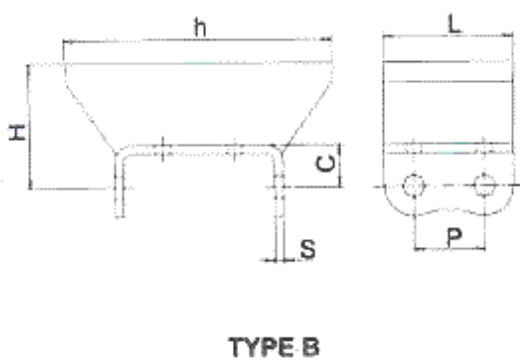
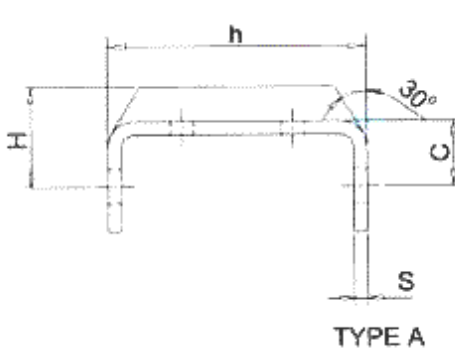
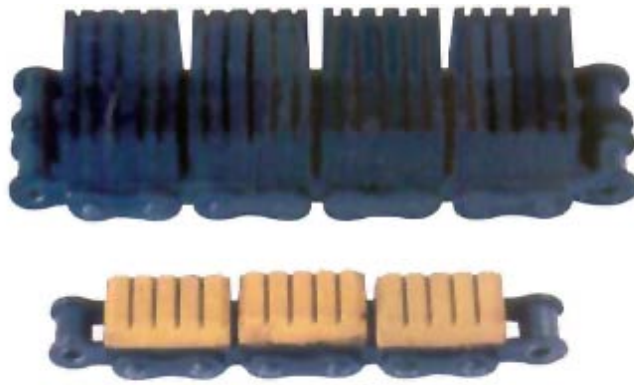




RUBBER TOP CHAINS



- These chains are designed to face special needs in wood life, tile ,glass,cartoon printing,PVC tube extrusion industries.
- The rubber attachment can be supplied with precision single or duplex roller chains.
- Special profiles can be made on request .

GRADE	NATURAL RUBBER	NITRILE	NEOPRENE RUBBER
SHORE HARDNESS (A)	65+/-5	65+/-5	65+/-5
TEMPERATURE RANGE	-10 TO 70 deg c	-10 TP 120 deg c	-10 TO +80 deg c
RESISTANCE TO OIL/GREASE	POOR	EXCELLENT	FAIR
OZONE/UV RESISTANCE	POOR	FAIR	EXCELLENT

INTI REF. NO.	CHAIN NO.	TYPE	PITCH(P)	WIDTH OVER BEARING PIN (A)	C	H	h	L	S	TENSILE STRENGTH (KGF)(MIN)
08B-1	D08301RT01	A	12.70	17.80	8.30	12.30	14.72	24.00	1.50	1840
80-1	D16101RT01	A	25.40	38.00	18.30	23.00	27.50	49.40	3.15	5780
08B-2	D08302RT01	B	12.70	33.90	9.50	18.30	44.00	24.00	1.50	3270
08B-2	D08302RT02	A	12.70	33.90	9.50	12.50	28.50	24.0	1.50	3270
60-2	D12102RT01	C	19.05	53.00	11.80	33.80	45.56	34.87	2.00	6490

11,VASTA HOUSE,GR.FLOOR,JANMABOOMI MARG,
FORT ,MUMBAI -400001 ,INDIA.

TEL:91-22-22844307/22871995/22872449

FAX:91-22-22873597/22870770

E-mail:info@wiperdrive.com,WEB SITE:www.wiperdrive.com