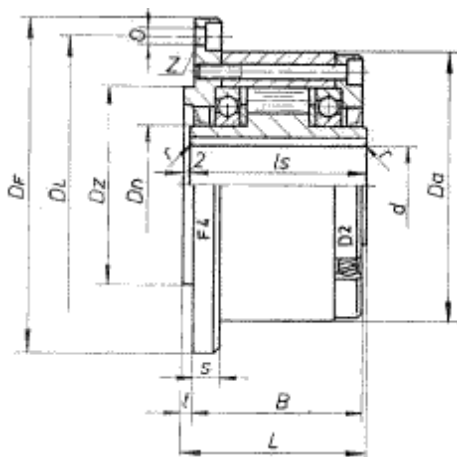




PL TYPE F4 D2



SIZE dH7 mm	NOMINAL TORQUE ¹ TN Nm	OVERRUNNING SPEED ²		Da mm	ls mm	DF mm	DL mm	Z	10mm	DZ h7 mm	t mm	Dn mm	Lmm	Bmm	Smm	r mm	WEIGHT kg
		max. INNERRACE RPM	max. OUTERRACE RPM														
12	29	2400	4800	62	42	85	72	3	5.8	42	3	20	44	40	10	0.5	0.9
15	50	1800	4300	68	52	92	78	3	5.8	47	3	25	54	50	10	0.8	1.3
20	84	1500	3700	75	57	98	85	4	5.8	55	3	30	59	55	10.5	0.8	1.7
25	124	1300	3100	90	60	118	104	4	7	68	3	40	62	58	10.5	1	2.6
30	230	1150	2600	100	68	128	114	6	7	75	3	45	70	66	11	1	3.5
35	290	1000	2200	110	74	138	124	6	7	80	3.5	50	76	71	11.5	1	4.5
40	490	900	1900	125	86	160	142	6	9	90	3.5	55	88	83	13.5	1.5	6.9
45	670	800	1700	130	86	165	146	8	9	95	3.5	60	88	83	13.5	1.5	7.1
50	1100	750	1600	150	92	185	166	8	9	110	4	70	94	88	12.5	1.5	10.1
55	1250	650	1500	160	104	204	182	8	11	115	4	75	106	100	16.5	2	13.1
60	1800	600	1400	170	114	214	192	10	11	125	4	80	116	110	16	2	15.6
70	2650	500	1300	190	134	234	212	10	11	140	4	90	136	130	17.5	2.5	20.4
80	4000	400	1150	210	144	254	232	10	11	160	4	105	146	140	20	2.5	26.7
90	7500	300	1000	230	158	278	254	10	13	180	4.5	120	160	153	19	3	39.0
100	9500	250	900	270	182	335	305	10	17	210	5	140	184	176	26	3	66.0
120	13900	180	700	310	202	375	345	12	17	240	5	160	204	196	28	4	91.0
150	27000	120	450	400	246	485	445	12	22	310	5	200	248	240	30	4	186

KEYWAYS :TO DIN 6885 PAGE 1

1) T max IS 2.5 x NOMINAL TORQUE (TN) FOR SHORT PERIODS ONLY.

2) THE MAXIMUM OVERRUNNING SPEEDS ARE OIL BATH LUBRICATIONS ONLY.

FOR PRESSURE LUBRICATION 150% OF INDICATED SPEEDS.

IF HIGHER SPEEDS ARE REQUIRED OTHER THAN THOSE LISTED PLEASE CONSULT.

WHEN ORDERING PLEASE INDICATED DIRECTION OF ROTATION :

-R- WHEN VIEWED FROM COVER D2 INNER RACE OVERRUNS IN ARE CLOCKWISE DIRECTION

FREEWHEEL WITH SPECIALS BORE SIZES ARE AVAILABLE.

11, VASTA HOUSE, GR.FLOOR, JANMABOOMI MARG,

FORT ,MUMBAI-400001 ,INDIA.

TEL:91-22-22844307/22871995/22872449

FAX:91-22-22873597/22870770

E-mail:info@wiperdrive.com, WEB SITE:www.wiperdrive.com