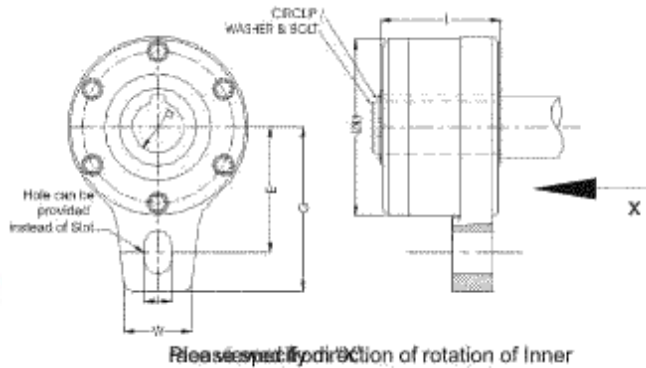




NLS TYPE CLUTCHES



-OIL /GREASED FILLED,READY TO FIT.

-TRANSMIT TORQUE (POWER) in one directions, opposite free.

-Contains individually spring loaded rollers ,ball bearing support.

Function:-Feeding.

-Indexing

-Back stopping

-Overrunning

CODENO.	DH7		D	L	E	G	W	I	TORQUE NM
	OVER	UPTO							
NLS0120085	14	20	75	55	60	80	40	16	360
NLS0125095	20	25	90	60	65	85	45	16	520
NLS0130105	25	30	100	65	70	95	50	20	810
NLS0135115	30	35	110	75	80	100	60	20	1530
NLS0142125	35	42	125	85	85	110	65	24	2480
NLS0145135	40	45	135	90	90	115	70	30	3000
NLS0150145	45	50	150	95	100	125	70	30	3350
NLS0155160	50	55	160	100	105	138	80	32	3880
NLS0160170	55	60	170	115	115	145	80	32	4950
NLS0165185	60	65	185	115	132	165	85	32	6050
NLS0170195	65	70	190	130	135	180	90	32	6950
NLS0180210	70	80	210	140	145	185	95	32	8200

All dimensions are in m.m

Other sizes on request.

Dimensions/Design subject to modifications.

Can be supplied with mounting flange

Shaft dia is to be controlled within h6/j6.

11,VASTA HOUSE,GR.FLOOR,JANMABOOMI MARG,
FORT ,MUMBAI-400001 ,INDIA.

TEL:91-22-22844307/22871995/22872449

FAX:91-22-22873597/22870770

E-mail:info@wiperdrive.com,WEB SITE:www.wiperdrive.com