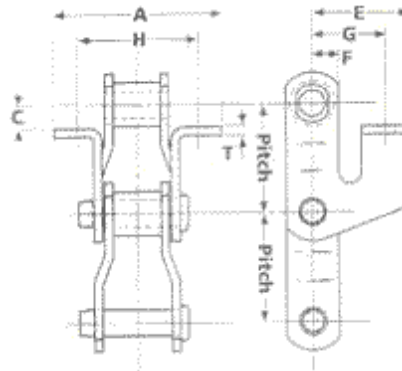




JUICE STRAINER(CUSH CUSH)CHAIN



CHAIN	PITCH	ALLOWABLE CHAIN PULL	BREAKING LOAD		WEIGHT/FT		PIN			BARREL		LINK DEPTH	A	B	C	D	E	F	G	H	T
			LB	KG	PLAIN	F2/29	DIA	LENGTH	DIA	WIDTH											
										INSIDE	OUTSIDE										
488	261	1.800	11,000	4994	3.5	62	44	306	88	75	1.56	1.0	2.94	88	1.56	31	2.0	2.0	1.38	203	31
4103	307	3.500	22,000	9,968	62	88	75	363	1.25	1.0	1.84	1.5	3.0	-	44	38	2.63	2.63	2.02	244	44
2103	307	4.900	40,000	13,140	56	93	75	313	1.25	1.38	1.88	1.5	488	-	63	38	2.75	2.75	2.09	35	25

NORMALLY SUPPLIED COPPER 4103 AVAILABLE IN STAINLESS 2103 ONLY AVAILABLE IN STAINLESS

11,VASTA HOUSE,GR.FLOOR,JANMABOOMI MARG,

FORT ,MUMBAI -400001 ,INDIA.

TEL:91-22-22844307/22871995/22872449

FAX:91-22-22873597/22870770

E-mail:info@wiperdrive.com,WEB SITE:www.wiperdrive.com