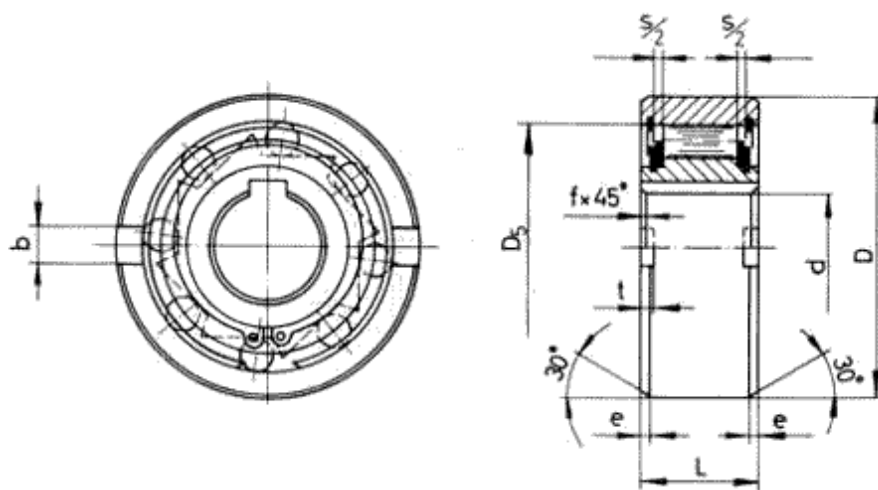




PNR TYPE



SIZE dH7 mm	TN ¹ Nm	OVERRUNNING SPEED ²		Dn6 mm	D2 mm	D4 mm	Lmm	smm	f mm	e mm	b mm	t mm	l mm	WEIGHT kg
		INNERRACE ñmax min	OUTERRACE min ¹											
12	9.5	1000	1000	37	20	28	20	4.5	0.5	0.8	6	3	-	0.11
15	30	750	750	47	26	37	30	4.5	0.8	1.2	7	3.5	-	0.30
20	85	560	560	62	35	50	36	5.5	0.8	1.2	8	3.5	-	0.55
25	124	1400	3400	80	40	68	40	-	1	1.8	9	4	0.2	1.2
30	230	1300	3000	90	45	75	48	-	1	1.8	12	5	0.2	1.8
35	290	290	2800	100	50	80	53	-	1	1.8	13	6	1.2	2.4
40	490	950	2500	110	55	90	63	-	1.5	1.8	15	7	2.2	3.3
45	670	900	2400	120	60	95	63	-	1.5	2.6	16	7	2.2	4.0
50	1100	850	2000	130	70	110	80	-	1.5	2.6	17	8.5	2.7	5.7
55	1250	720	1960	140	75	115	80	-	2	2.6	18	9	4.2	6.5
60	1800	680	1800	150	80	125	95	-	2	2.6	18	9	3.2	8.9
70	2650	580	1600	170	90	140	110	-	2.5	2.6	20	9	1.1	13.5
80	4000	480	1400	190	105	160	125	-	2.5	2.6	20	9	0.0	19
90	7500	380	12500	215	120	180	140	-	3	3.6	24	11.5	0.6	27
100	9500	350	1100	260	140	210	150	-	3	3.6	28	14.5	2.6	45
120	16000	250	950	950	160	240	180	-	4	3.6	32	18	2.0	67

KEYWAYS: TO DIN 6885 PAGE 1

1) NOMINAL TORQUE

TMAX-2.5x TN FOR BRIEF PERIODS ONLY

2) FOR OIL BATH LUBRICATIONS

FOR CIRCULATION OILING 180%

FOR GREASER LUBRICATION 50%

* PNR 12-20 WITH FRICTION BEARING STEEL ON STEEL

PNR 25-120 WITH BALL BEARINGS.

11, VASTA HOUSE, GR. FLOOR, JANMABOOMI MARG,
FORT, MUMBAI-400001, INDIA.

TEL: 91-22-22844307/22871995/22872449

FAX: 91-22-22873597/22870770

E-mail: info@wiperdrive.com, WEB SITE: www.wiperdrive.com