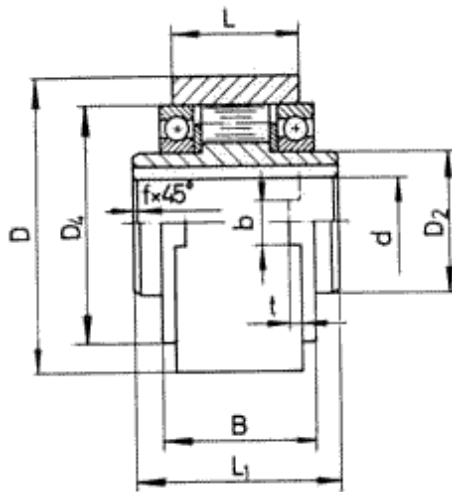




PR TYPE



SIZE dH7 mm	NOMINAL TORQUE ¹ Tn Nm	OVERRUNNING SPEED ²		Dn6 mm	D2mm	D4 mm	Lmm	L1mm	Bmm	f mm	FACE GROOVE		WEIGHT kg
		max INNERRACE RPM	max OUTERRACE RPM								b mm	t mm	
25	124	1400	3400	80	40	68	37	60	42.1	1	9	4	1.5
30	230	1300	3000	90	45	75	44	68	49.1	1	12	5	2.2
35	290	1100	2800	100	50	80	48	74	54.1	1	13	6	3.0
40	490	950	2500	110	55	90	56	86	62.1	1.5	15	7	4.4
45	670	900	2400	120	60	95	56	86	62.1	1.5	16	7	4.5
50	1100	850	2000	130	70	110	63	92	69.1	1.5	17	8	6.8
55	1250	720	1960	140	75	115	67	104	73.1	2	18	9	8.0
60	1800	680	1800	150	80	125	78	114	84	2	18	9	10.0
70	2650	580	1600	170	90	140	95	134	103	2.5	17	9	12.0
80	4000	480	1400	190	105	160	100	144	108	2.5	20	9	16
90	7500	380	1250	215	120	180	115	158	125	3	24	11	26
100	9500	350	1100	260	140	210	120	182	131	3	28	13	38
120	13900	250	950	300	160	240	140	202	152	3	32	18	56
150	27000	180	750	370	200	310	180	246	196	4	32	18	120
200	70000	120	550	480	260	400	240	326	265	5	40	25	274
250	136000	100	450	580	320	480	300	396	330	5	45	30	488

KEYWAYS: TO DIN 6885 PAGE 1

1) T MAX IS 2.5 x NOMINAL TORQUE (Tn) FOR SHORT PERIODS ONLY.

2) THE INDICATED MAXIMUM OVERRUNNING (IDLING) SPEED ARE VALID FOR PRESSURE LUBRICATION ONLY. FOR OIL BATH LUBRICATION 65% OF INDICATED SPEEDS. IF HIGHER SPEEDS ARE REQUIRED OTHER THAN THOSE LISTED PLEASE CONSULT

11, VASTA HOUSE, GR. FLOOR, JANMABOOMI MARG,
FORT, MUMBAI - 400001, INDIA.

TEL: 91-22-22844307/22871995/22872449

FAX: 91-22-22873597/22870770

E-mail: info@wiperdrive.com, WEB SITE: www.wiperdrive.com