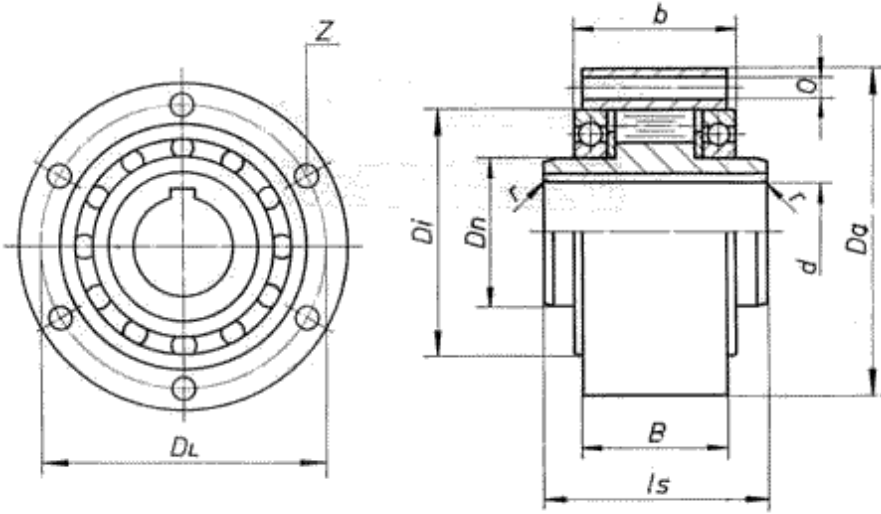




PL TYPE



SIZE dH7 mm	NOMINAL TORQUE ¹ Tn Nm	OVERRUNNING SPEED ²		Da mm	Ls mm	Di mm	Dn mm	DL mm	Z	O mm	B mm	b mm	r mm	WEIGHT kg
		max INNERACE RPM	max OUTERRACE RPM											
12	29	2400	4800	62	42	42	20	51	3	5.5	20	27	0.5	0.48
15	50	1800	4300	68	52	47	25	56	3	5.5	30	34	0.8	0.80
20	84	1500	3700	75	57	55	30	64	4	5.5	34	39	0.8	1.00
25	124	1300	3100	90	60	68	40	78	6	5.5	37	42	1	1.60
30	230	1150	2600	100	68	75	45	87	6	7	44	49	1	2.30
35	290	1000	2200	110	74	80	50	96	6	7	48	54	1	3.00
40	490	900	1900	125	86	90	55	108	6	9	56	62	1.5	4.50
45	670	800	1700	130	86	95	60	112	8	9	56	62	1.5	4.60
50	1100	750	1600	150	92	110	70	132	8	9	63	69	1.5	7.10
55	1250	650	1500	160	104	115	75	138	8	11	67	73	2	8.40
60	1800	600	1400	170	114	125	80	150	10	11	78	84	2	10.6
70	2650	500	1300	190	134	140	90	165	10	11	95	103	2.5	13.4
80	4000	400	1150	210	144	160	105	185	10	11	100	108	2.5	18.0
90	7500	300	1000	230	158	180	120	206	10	13	115	125	3	28.0
100	9500	250	900	270	182	210	140	240	10	17	120	131	3	42.0
120	13900	180	700	310	202	240	160	278	12	17	140	152	4	62.0
150	27000	120	450	400	246	310	200	360	12	22	180	196	4	134

KEYWAY TOLERANCE TO DIN 6885 SHEET 1

1) T MAX IS 2.5 x NOMINAL TORQUE (Tn) FOR SHORT PERIODS ONLY.

THE max> OVERRUNNING SPEEDS ARE FOR OIL BATH LUBRICATIONS ONLY.

FOR PRESSURE LUBRICATION max.speed=150%

FOR GREASE LUBRICATION max.speed=50%

11, VASTA HOUSE, GR. FLOOR, JANMABOOMI MARG,
FORT, MUMBAI-400001, INDIA.

TEL: 91-22-22844307/22871995/22872449

FAX: 91-22-22873597/22870770

E-mail: info@wiperdrive.com, WEB SITE: www.wiperdrive.com