

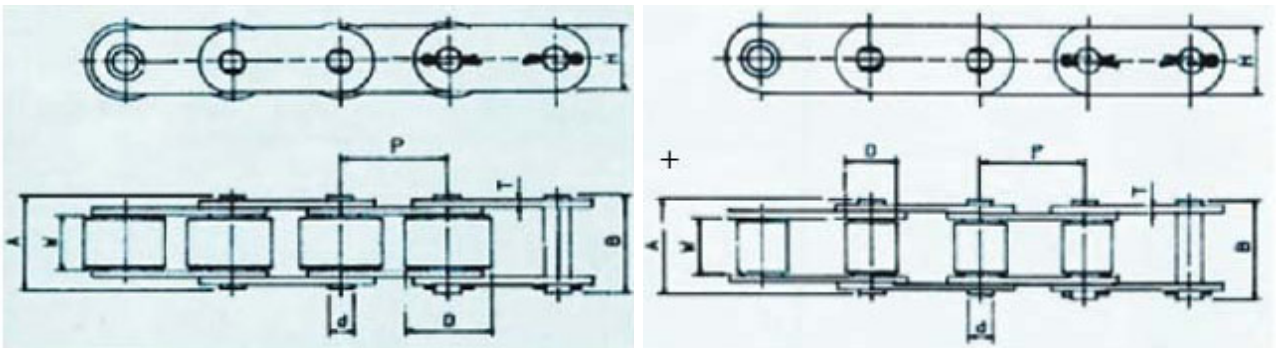


## EXTENDED PITCH CHAINS



### Double Pitch Chains As Per Ansi B29. 4M

Double pitch chains with standard roller are an economical choice for power transmission where the speed is low and the load moderate. It is especially useful for long center distance drive. Double pitch chain with large rollers are used in conveyor application for light material handling equipment including backing, packing, bottling and printing machinery. Double pitch chains manufacture incorporate the high degree of precision that is common in power transmission chain and therefore are a high quality economical alternative to other modes of conveying.



| CHAIN NO | NO OF STRANDS | ANSI NO | PITCH (P) | WIDTH BET INNER PLATE (W) MIN | ROLLER DIA (P) (MAX) | PLATE DEPTH (H) (MAX) | PLATE THICKNESS | PN DIA (D) (MAX) | BPN LENGTH (A)(MAX) | C/PIN LENGTH (B)(MAX) | AVERAGE WEIGHT (KGM) | TENSIL STRENGTH (KGF)(MIN) |
|----------|---------------|---------|-----------|-------------------------------|----------------------|-----------------------|-----------------|------------------|---------------------|-----------------------|----------------------|----------------------------|
| W08401   | 01            | C2040   | 26.40     | 7.05                          | 7.92                 | 12.07                 | 1.60            | 3.97             | 21.30               | 21.30                 | 0.67                 | 1.440                      |
| W08402   | 01            | C2042   |           |                               | 16.88                |                       |                 |                  |                     |                       | 0.98                 |                            |
| W10201   | 01            | C2060   | 31.75     | 9.20                          | 10.16                | 15.09                 | 2.00            | 5.08             | 20.20               | 24.30                 | 1.06                 | 2.270                      |
| W10202   | 01            | C2062   |           |                               | 19.05                |                       |                 |                  |                     |                       | 1.59                 |                            |
| W12101   | 01            | C2060   | 38.10     | 12.68                         | 11.91                | 18.08                 | 2.89            | 5.96             | 26.90               | 31.50                 | 1.57                 | 3.240                      |
| W12102   | 01            | C2062   |           |                               | 22.22                |                       |                 |                  |                     |                       | 2.16                 |                            |
| W12201   | 01            | C2060H  | 38.10     | 12.68                         | 11.91                | 18.08                 | 3.15            | 5.96             | 21.20               | 35.80                 | 1.92                 | 3.240                      |
| W12202   | 01            | C2062H  |           |                               | 22.22                |                       |                 |                  |                     |                       | 2.46                 |                            |
| W15101   | 01            | C2080   | 50.680    | 15.75                         | 18.88                | 24.13                 | 3.15            | 7.94             | 33.50               | 38.90                 | 2.63                 | 5.700                      |
| W15102   | 01            | C2082   |           |                               | 28.68                |                       |                 |                  |                     |                       | 3.51                 |                            |
| W15101   | 01            | C2080H  | 50.90     | 15.75                         | 16.87                | 24.13                 | 4.00            | 7.94             | 39.00               | 43.40                 | 3.09                 | 5.700                      |
| W15202   | 01            | C2082H  |           |                               | 28.58                |                       |                 |                  |                     |                       | 3.97                 |                            |
| W20101   | 01            | C2100   | 63.50     | 18.90                         | 19.05                | 30.10                 | 4.00            | 9.54             | 41.40               | 47.20                 | 3.21                 | 9.000                      |
| W20102   | 01            | C2102   |           |                               | 39.67                |                       |                 |                  |                     |                       | 6.46                 |                            |

11, VASTA HOUSE, GR. FLOOR, JANMABOOMI MARG,  
FORT, MUMBAI - 400001, INDIA.

TEL: 91-22-22844307/22871995/22872449

FAX: 91-22-22873597/22870770

E-mail: [info@wiperdrive.com](mailto:info@wiperdrive.com), WEB SITE: [www.wiperdrive.com](http://www.wiperdrive.com)