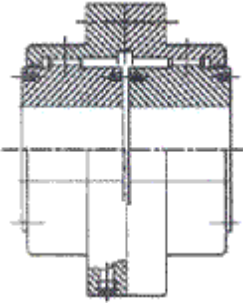
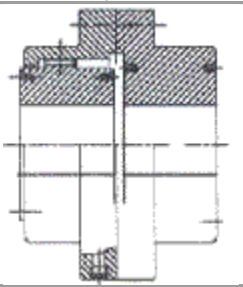
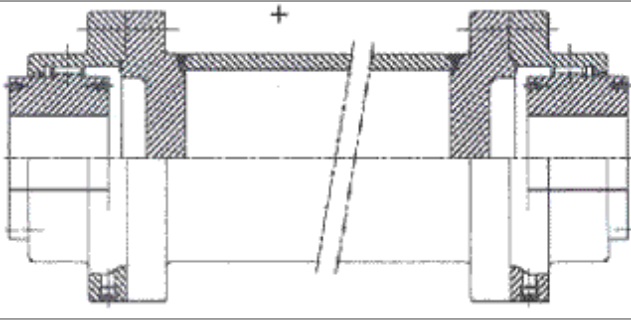
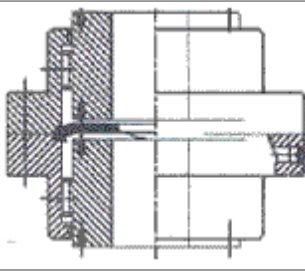
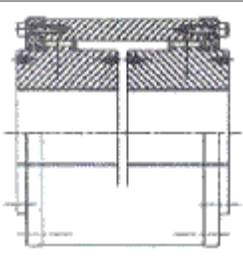




TYPE ED		WITH DOUBLE HOUSING THE COUPLINGS ARE AVAILABLE WITH BORE LIMITATIONS UPTO 240 mm AND TORQUE RATING UPTO 11500 da Nm
TYPE ER		WITH ONE END RIGID THE COUPLING ARE ALSO AVAILABLE WITH BORE LIMITATIONS UP TO 240 mm ONE SIDE AND 280 mm ON RIGID END THE TORQUE RATING UPTO 11500 da Nm.
TYPE ET		WITH SPACER THE COUPLING ARE AVAILABEL WITH BORE LIMITATIONS UPTO 240 mm AND TORQUE RATING UPTO 11500 da Nm
TYPE EV		FOR VERTICAL APPLICATIONS THE COUPLING ARE ALSO AVAILABEL WITH BORE LIMITATIONS UPTO 240 mm AND TORQUE RATING UPTO 11500 da Nm
TYPE ES		WITH SINGLE HOUSING THE COUPLINGS ARE AVAILABEL WITH BORE LIMITATIONS FROM 40 mm TO 240 mm AND TORQUE RATING FROM 1600 da Nm TO 11500 da Nm

11, VASTA HOUSE, GR. FLOOR, JANMABOOMI MARG,
FORT, MUMBAI-400001, INDIA.

TEL: 91-22-22844307/22871995/22872449

FAX: 91-22-22873597/22870770

E-mail: info@wiperdrive.com, WEB SITE: www.wiperdrive.com