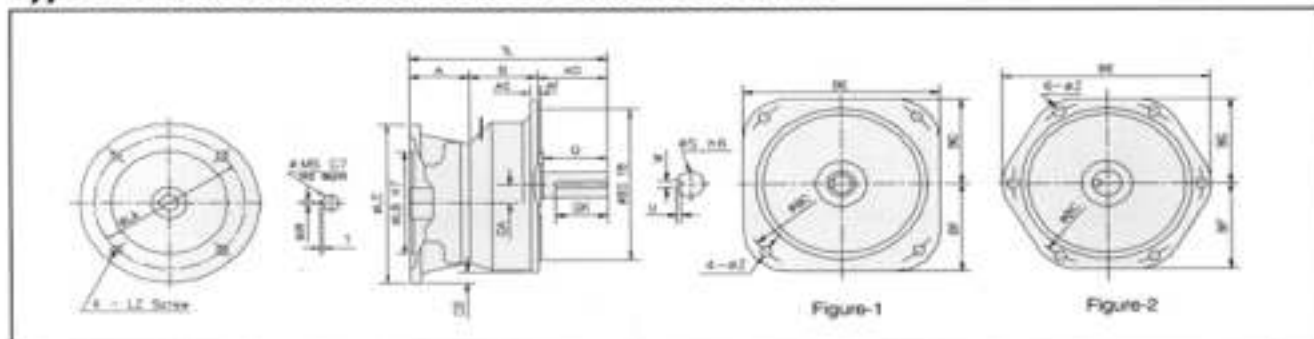




## Type AVM

Type AVM Motor Mount Reducer-Dimension Table

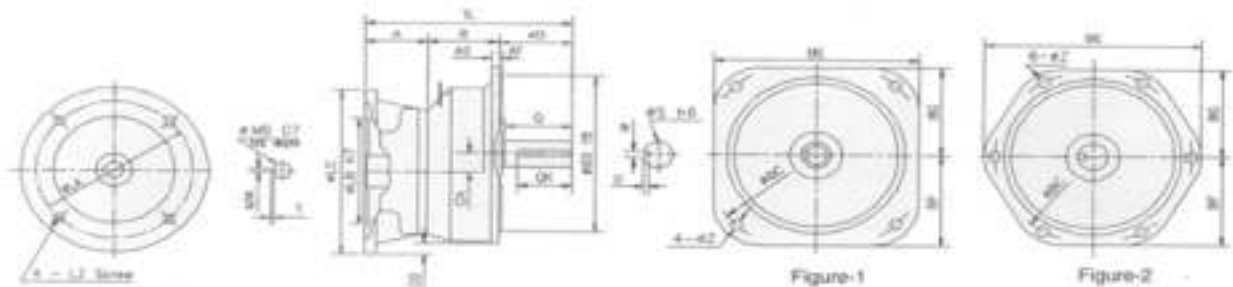


Class	Ratio	Frame	Dimension (mm)																			Mass (kg)		
			TL	A	AD	AF	AG	B	CA	CB	Flange						Shaft End							
											Fig	FL	FR	RF	RR	Z	S	SK	S	W	g			
0.4	1/5	AVMA11L																						
	1/10	AVMA15L	158	47	34	3	11	77	20	-10	1	160	140	160	90	90	10	28	23	18	6	3.5	6	
	1/15	AVMA20L																						
	1/20	AVMA25L																						
	1/25	AVMB30L	179	47	42	3	11	80	22	-2	1	180	160	180	100	90	10	36	31	22	6	3.5	8.5	
	1/30	AVMB35L																						
	1/45	AVMB45L																						
	1/60	AVMB60L	187	47	42	3	11	88	22	-2	1	180	160	180	100	90	10	36	31	22	6	3.5	9	
	1/80	AVMB80L																						
	1/100	AVMB100L																						
0.75	1/10	AVMC130L	201	47	42	3	12	112	26	9	1	225	180	210	115	105	12	36	31	24	8	4	11	
	1/150	AVMC150L																						
	1/200	AVMD200L	235	47	66	3	16	122	33	17	1	270	230	260	130	130	15	58	53	32	10	5	25	
	1/5	AVMB55L																						
	1/10	AVMB10L	187	55	42	3	11	90	22	-22	1	180	160	180	100	90	10	36	31	22	6	3.5	10.5	
	1/15	AVMB15L																						
	1/20	AVMB20L																						
	1/25	AVMC25L	195	55	42	3	12	98	26	-11	1	225	180	210	115	105	12	36	31	24	8	4	12	
	1/30	AVMC30L																						
	1/45	AVMC45L																						
1/60	AVMC60L	209	55	42	3	12	112	26	-11	1	225	180	210	115	105	12	36	31	24	8	4	13		
1/80	AVMC80L																							
1/100	AVMC100L																							
1.5	1/100	AVMD100L	243	55	66	3	16	122	33	-3	1	270	230	260	130	130	15	58	53	32	10	5	25	
	1/150	AVMD150L																						
	1/200	AVME200L	258	55	68	5	16	135	34	16	1	310	250	300	150	150	19	58	53	38	10	5	33.5	
	1/5	AVMC5L																						
	1/10	AVMC10L	209	60	42	3	12	107	26	-11	1	225	180	210	115	105	12	36	31	24	8	4	13	
	1/15	AVMC15L																						
	1/20	AVMC20L																						
	1/25	AVMD25L	246	60	66	3	16	120	30	-3	1	270	230	260	130	130	15	58	53	32	10	5	25	
	1/30	AVMD30L																						
	1/45	AVMD45L																						
1/60	AVMD60L	260	60	66	3	16	134	33	-3	1	270	230	260	130	130	15	58	53	32	10	5	26		
1/80	AVMD80L																							
1/100	AVME100L	275	60	68	5	16	147	34	16	1	310	250	300	150	150	19	58	53	38	10	5	34.5		
1/150	AVMF150L	313	60	92	5	20	161	42	38	2	350	310	390	180	180	19	62	77	42	12	5	45.5		
1/200	AVMG200L	323	60	92	5	20	181	47	48	2	380	340	420	195	195	19	62	77	48	14	5.5	66		
2.2	1/5	AVMB5L																						
	1/10	AVMD10L	257	71	66	3	16	120	33	-26	1	270	230	260	130	130	15	58	53	32	10	5	28	
	1/15	AVMD15L																						
	1/20	AVMD20L																						
	1/25	AVME25L	268	71	68	5	16	129	34	-9	1	310	250	300	150	150	19	58	53	38	10	5	30	
	1/30	AVME30L																						
	1/45	AVME45L																						
	1/60	AVME60L	286	71	68	5	16	147	34	-9	1	310	250	300	150	150	19	58	53	38	10	5	37.5	
	1/80	AVME80L																						
	1/100	AVME100L																						
3.7	1/75	AVMF75L	324	71	92	5	20	161	42	13	2	350	310	390	180	180	19	62	77	42	12	5	48.5	
	1/100	AVMF100L																						
	1/130	AVMG130L	344	71	92	5	20	181	47	23	2	380	340	420	195	195	19	62	77	48	14	5.5	69	
	1/150	AVMG150L																						
	1/5	AVME5L																						
	1/10	AVME10L	271	74	68	5	16	129	34	-9	1	310	250	300	150	150	19	58	53	38	10	5	40	
	1/15	AVME15L																						
	1/20	AVME20L																						
	1/25	AVMD25L	309	74	66	5	20	143	42	13	2	350	310	390	180	180	19	62	77	42	12	5	50	
	1/30	AVMF30L																						
1/45	AVMF45L																							
1/60	AVMF60L	330	74	62	5	20	164	42	13	2	350	310	390	180	180	19	62	77	42	12	5	52.5		
1/80	AVMF80L																							
1/100	AVMG100L	344	74	62	5	20	178	47	23	2	380	340	420	195	195	19	62	77	48	14	5.5	73		

\* For motor mounting dimension please refer table No. 4 on page 19



## Type AVM Motor Mount Reducer-Dimension Table



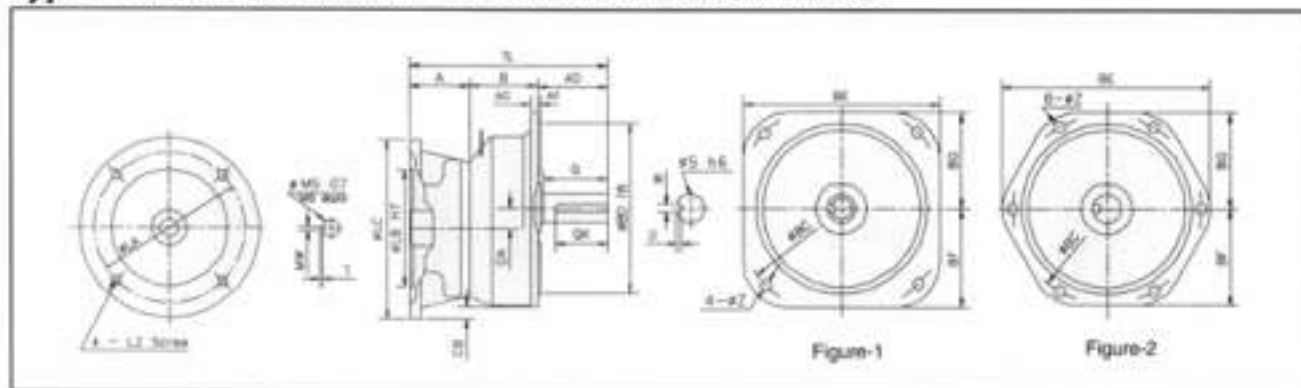
Class	Motor (kW)	Ratio	Frame	Dimension (mm)																	Mass (kg)			
				T1	A	AD	AF	AG	B	CA	CB	Flange							Shaft End					
												Fig	BC	BD	BE	BF	BG	Z	S	BK		S	W	V
0.4	1/5	AVM855	179	47	42	3	11	80	22	-2	1	180	180	180	100	90	10	36	31	22	6	3.5	8.5	
	1/10	AVM810S																						
	1/15	AVM815S																						
	1/20	AVM820S																						
	1/25	AVMC255	187	47	42	3	12	88	28	9	1	225	180	210	115	105	12	36	31	24	8	4	10	
	1/30	AVMC30S																						
	1/45	AVMC45S																						
	1/60	AVMC60S																						
	1/75	AVMC75S	201	47	42	3	12	112	26	9	1	225	180	210	115	105	12	36	31	24	8	4	11	
	1/90	AVMC90S																						
1/100	AVMD100S																							
1/130	AVMD130S																							
1/150	AVMD150S	235	47	66	3	16	122	33	17	1	270	230	260	130	130	15	58	53	32	10	5	23		
1/200	AVME200S																							
0.75	1/5	AVMC55	195	55	42	3	12	88	28	-11	1	225	180	210	115	105	12	36	31	24	8	4	12	
	1/10	AVMC10S																						
	1/15	AVMC15S																						
	1/20	AVMC20S																						
	1/25	AVMD25S	228	55	66	3	16	108	33	-3	1	270	230	260	130	130	15	58	53	32	10	5	24	
	1/30	AVMD30S																						
	1/45	AVMD45S																						
	1/60	AVMD60S																						
	1/75	AVMD75S	243	55	66	3	16	122	32	-3	1	270	230	260	130	130	15	58	53	32	10	5	25	
	1/90	AVMD90S																						
1/100	AVME100S																							
1/130	AVME130S																							
1/150	AVME150S	258	55	66	5	16	135	34	16	1	310	250	300	150	150	19	58	53	38	10	5	33.5		
1/200	AVMF200S																							
1.5	1/5	AVMD55	246	60	66	3	16	120	33	-3	1	270	230	260	130	130	15	58	53	32	10	5	25	
	1/10	AVMD10S																						
	1/15	AVMD15S																						
	1/20	AVMD20S																						
	1/25	AVME25S	257	60	66	5	16	129	34	16	1	310	250	300	150	150	19	58	53	38	10	5	33	
	1/30	AVME30S																						
	1/45	AVME45S																						
	1/60	AVME60S																						
	1/75	AVME75S	275	60	66	5	16	147	34	16	1	310	250	300	150	150	19	58	53	38	10	5	34.5	
	1/100	AVMF100S																						
1/130	AVMG130S																							
1/150	AVMG150S																							
2.2	1/5	AVME55	268	71	66	5	16	129	34	-9	1	310	290	300	150	150	19	58	53	38	10	5	36	
	1/10	AVME10S																						
	1/15	AVME15S																						
	1/20	AVME20S																						
	1/25	AVMF25S	303	71	62	5	20	140	42	13	2	350	310	380	180	180	19	62	77	42	12	5	46	
	1/30	AVMF30S																						
	1/45	AVMF45S																						
	1/60	AVMF60S																						
	1/75	AVMG75S	324	71	62	5	20	161	42	13	2	350	310	380	180	180	19	62	77	42	12	5	48.5	
	1/100	AVMF100S																						
1/130	AVMG130S																							
1/150	AVMG150S																							
3.0	1/5	AVME55	344	71	62	5	20	181	47	23	2	380	340	420	195	195	19	62	77	48	14	5.5	60	
	1/10	AVME10S																						
	1/15	AVME15S																						
	1/20	AVME20S																						
	1/25	AVMF25S	303	71	62	5	20	140	42	13	2	350	310	380	180	180	19	62	77	42	12	5	46	
	1/30	AVMF30S																						
	1/45	AVMF45S																						
	1/60	AVMF60S																						
	1/75	AVMG75S	324	71	62	5	20	161	47	23	2	380	340	420	195	195	19	62	77	48	14	5.5	60	
	1/100	AVMG100S																						

\* For motor mounting dimension please refer table No. 4 on page 19





**Type AVM Motor Mount Reducer-Dimension Table**



Class	Motor (kW)	Ratio	Frame	Dimension (mm)																				Mass (kg)																					
				TL	A	AD	AF	AG	B	CA	CB	Flange							Shaft End																										
												Fig	BC	BD	BE	BF	BG	Z	O	SK	S	W	U																						
S	3.7	1/5	AVMF55	300	74	92	5	20	143	42	13	2	350	310	390	180	180	19	82	77	42	12	5	50																					
		1/10	AVMF105																																										
		1/15	AVMF155																																										
		1/20	AVMF205																																										
		1/25	AVMG255																																										
		1/30	AVMG305																																										
	5.5	1/45	AVMG455	344	74	92	5	20	178	47	25	2	380	340	420	195	195	19	82	77	48	14	5.5	73																					
		1/50	AVMG505																																										
		1/60	AVMG605																																										
		1/5	AVMF55																						304	91	92	5	20	151	42	-12	2	350	310	390	180	180	19	82	77	42	12	5	53
		1/10	AVMF105																																										
		1/15	AVMF155																																										
1/20	AVMG205																																												
7.5	1/5	AVMG55	348	89	92	5	20	168	52	-7	2	380	340	420	195	195	19	82	77	48	14	5.5	76																						
	1/10	AVMG105																																											
	1/15	AVMG155																																											

**Table No. 4**

Capacity (kW)	Motor Frame	Dimension (mm)									
		Motor Mounting Section									
		LA	LB	LC	LE	LZ	M5	M0	MW	T	
0.4	71	130	110	160	5	M8	14	30	5	2.3	
0.75	80	145	130	200	5	M10	19	40	6	2.6	
1.5	90L	165	130	200	5	M10	24	50	8	3.3	
2.2	100L	215	180	250	6	M12	28	60	8	3.3	
3.7	112M	215	180	250	6	M12	28	60	8	3.3	
5.5	132S	265	230	300	6	M12	38	80	10	3.3	
7.5	132M	265	230	300	6	M12	38	80	10	3.3	
11	160M	300	250	350	7	M16	42	110	12	3.3	