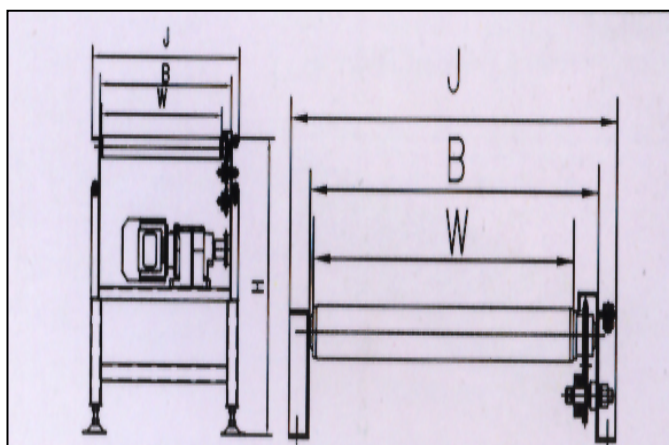
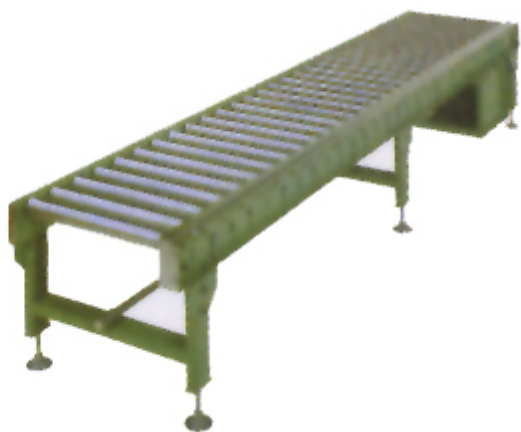
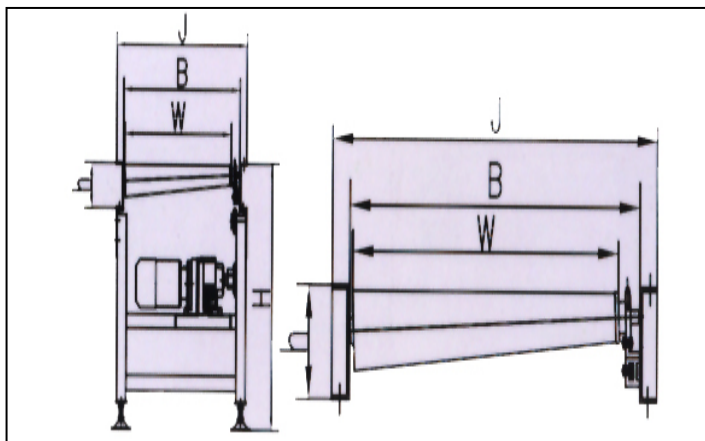




## Single Sprocket Roller Conveyor



Code Name	GDA-C	GDA-E	GDA-H	GDA-G	GDA-K	GDA-L	GDA-M
Roller Die.	Ø38	Ø50		Ø60		Ø60	Ø76
Width between frames B	407*. 560*. 712*				560*. 712*. 769*. 913.1244		
Boiler Length W	B-	B-41				B-41	B-44
Holler Pitch P	50.75.100		75.100.150		100.150.200		
Frame h	120X30X3		120X30X3		150X40X5		
Conveyor Length L	Max 12000						
Conveyor Width J	B+60				B+80		
Conveyor Height H	(Min450) 600. 700. 800				(Min550)600. 700. 800		
Loading capacity kg/m	Max30	Max50	Max100	Max80	Max200		
Speed V(m/min)	10.15.20.25				5.10.15.20		
Motor Power (kw)	0.37. 0.55	0.37. 0.55. 0.75			0.55. 0.75.1.1. 1.5		



Code Name	GDA-RK	GDA-RL	GDA-RN
Roller Die.		Ø 50	Ø 60
Width between frames B	407*. 560*. 712*		
Roller Length W		B-41	B-
RollER Pitch P		100. 150	100.150
Frame h	120X30X3		150X40X5
Conveyor inner radius R	900		
Angle Ø	90		
Conveyor Width J	B+60		B.80
Conveyor Height H		(Min450) 600. 700. 800	(Min550) 600. 700. 800
Loading capacity kg/m	Max50	Max100	Max500
Speed V (m/min)	5.10. 15. 20		5.10.15
Motor Power (kw)	0.37.0.55.0.75		

11,VASTA HOUSE,GR.FLOOR,JANMABOOMI MARG,  
FORT ,MUMBAI -400001 ,INDIA.

TEL:91-22-22844307/22871995/22872449

FAX:91-22-22873597/22870770

E-mail:[info@wiperdrive.com](mailto:info@wiperdrive.com),WEB SITE:[www.wiperdrive.com](http://www.wiperdrive.com)