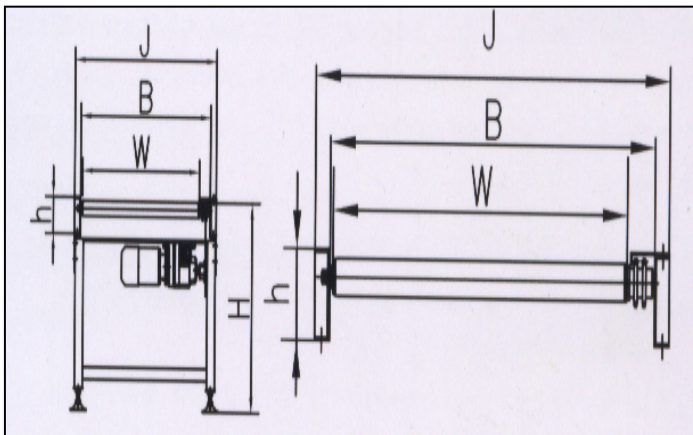
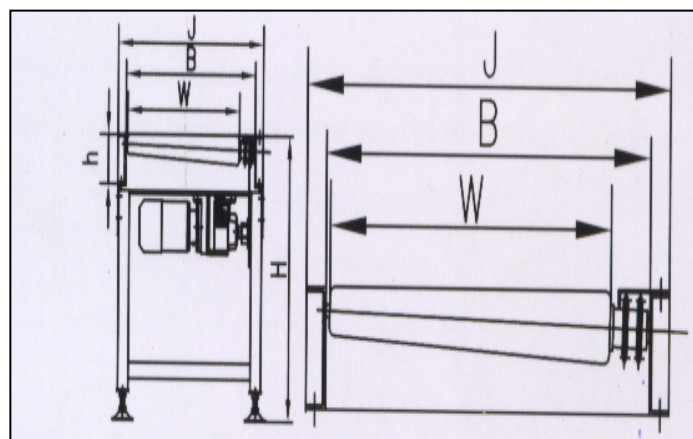




Double Sprocket Roller Conveyor



Code Name	GSA-H	GSA-K	GSA-M	GSA-Q
Roller Dia.	Ø50	Ø60	Ø76	Ø89
Width between frames B		407*. 560*. 712*		560*. 712*. 913. 1322
Roller Length W		B-63		B-69
Roller Pitch P		75.100.150		100.150.200
Frame h		120X30X3		150X40X5
Conveyor Length L		Max5000		Max8000
Conveyor Width J		B+60		B+80
Conveyor Height H		(Min450)600. 700. 800		(Min550) 600. 700. 800
Loading capacity kg/m	Max100	Max200	Max500	Max800
Spaed V (m/min)		5.10. 15.20		5.10.15
Motor Power (kw)		0.37. 0.55. 0.75		0.55.075. 1.1. 1.5



Code Name	GSA-RE	GSA-RH	GSA-RN
Roller Dia.	Ø 50		
Width between frames B		407*.560*.712*	
Holler Length W		B-63	B-
Roller Pitch P		100.150	
Frame h		120X30X3	150X40X5
Conveyor inner radius R		900	
Angle 6		90	
Conveyor Width J		B+60	B+80
Conveyor Height H		(Min450) 600. 700. 800	(Min550) 600. 700. 800
Loading capacity [kg/set)	Max50	Max100	Max500
Speed V (m/ min)		5.10.15.20	5.10.15
Motor Power (kw)		0.37. 0.55. 0.75	

11, VASTA HOUSE, GR. FLOOR, JANMABOOMI MARG,

FORT, MUMBAI-400001, INDIA.

TEL: 91-22-22844307/22871995/22872449

FAX: 91-22-22873597/22870770

E-mail: info@wiperdrive.com, WEB SITE: www.wiperdrive.com