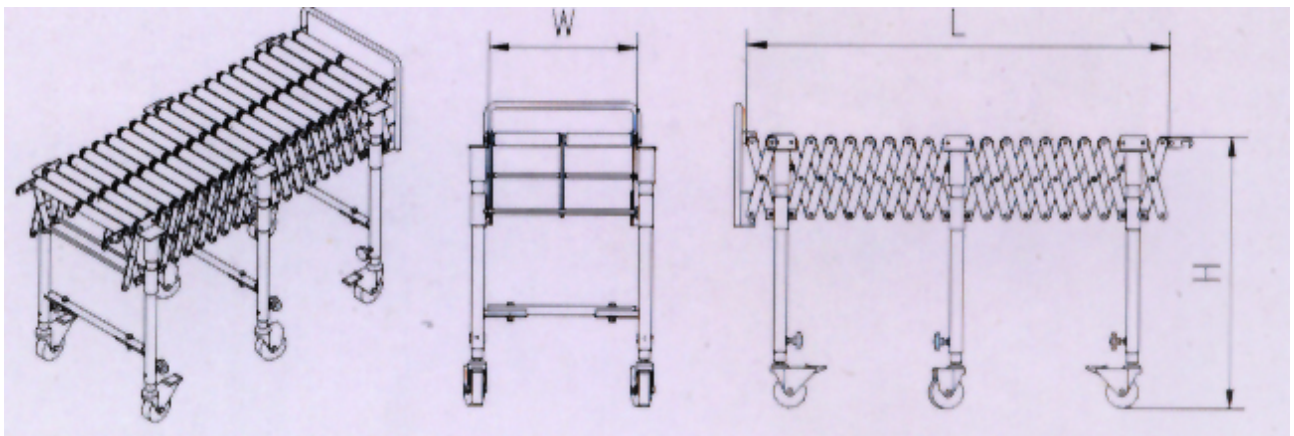




FZB Double Roller Flex Conveyor



Parameter List

Ø 38 roller flex-conveyor					
Code Name	Units	Extended Length (L)	Width [W]	Height (H)	Loading Per unit [KG]
FZB-38-45X1	1	560-1350	450	80CT100.0.	60 [without impact]
FZB-38-45X2	2	940-2350			
FZB-38-45X3	3	1 320-3350			
FZB-38-45X4	4	1 700-4350			
FZB-38-45X5	5	2080-5350			
FZB-38-45X6	6	2460-6350			
FZB-38-50X1	1	560-1350	500	800-1000	60 [without impact]
FZB-38-50X2	2	940-2350			
FZB-38-50X3	3	1 320-3350			
FZB-38-50X4	4	1 700-4350			
FZB-38-50X5	5	2080-5350			
FZB-38-50X6	6	2460-6350			
FZB-38-60X1	1	560-1350	600	800~1000	60 (without impact)
FZB-38-60X2	2	940-2350			
FZB-38-60X3	3	1320-3350			
FZB-38-60X4	4	1 700-4350			
FZB-38-60X5	5	2080-5350			
FZB-38-60X6	e	2460-6350			

Ø50 roller flex-conveyor

Code Name	Units	Extended Length [L]	Width (W)	Height (H)	Loading Per unit (KG)
FZB-50-45X1	1	700-1360	450	800~1000	70 [without impact]
FZB-50-45X2	2	1180-2350			
FZB-50-45X3	3	1660-3360			
FZB-50-45X4	4	2140-4360			
FZ&5C-45X5	5	2620-5360			
FZB-50-45X6	6	3100-6360			
FZB-50-50X1	1	700-1360	500	800~1000	70 [without impact]
FZB-50-50X2	S	1180-2350			
FZB-50-50X3	3	1660-3360			
FZB-50-50X4	4	2140-4360			
FZB-50-50X5	5	2620-5360			
FZB-50-50X6	6	3100-6360			
FZB-50-60X1	1	700-1360	600	800~1000	70 (without impact)
FZB-50-60X2	2	1 180-2350			
FZB-50-60X3	3	1 660-3360			
FZB-50-60X4	4	2140-4360			
FZB-50-60X5	5	2620-5360			
FZB-50-60X6	6	3100-6360			

11, VASTA HOUSE, GR. FLOOR, JANMABOOMI MARG,
FORT, MUMBAI - 400001, INDIA.

TEL: 91-22-22844307/22871995/22872449

FAX: 91-22-22873597/22870770

E-mail: info@wiperdrive.com, WEB SITE: www.wiperdrive.com