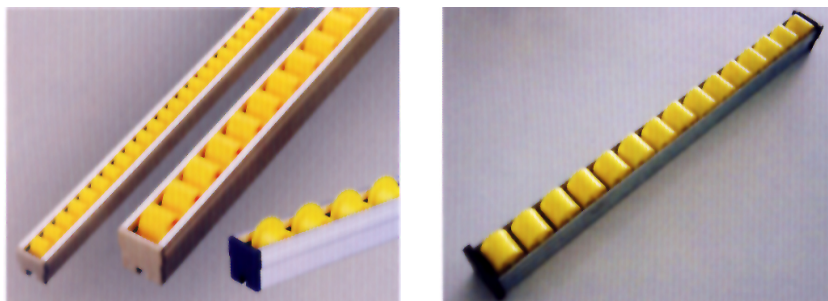


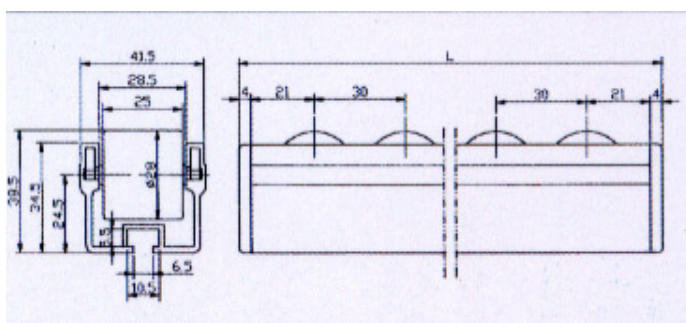


Flow Rack Component

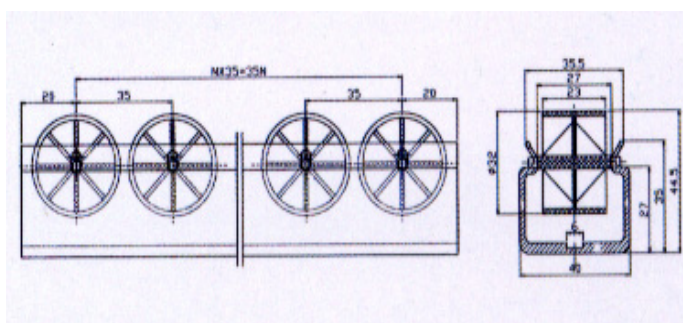


Type	R13	R28	R28D (Hanged)	R32	R32D (flanged)
Wheel: Dia X W	13X14	28X25	28X25	32X25	32X25
Frame: Height X W	21.5 X 29.7	34.5X41.5	34.5X41.5	35X40	35X40
Height	23.5	38.5	43.5	40	40
Length	1000,1500, 2000	1000,1500, 2000	1000,1500, 2000	1000,1500, 2000	1000,1500, 2000
Wheel Pitch	15,30,45	30,45,60	45,60	35,50,75	50,75
Load Capacity per wheel (kg)	4	5	5	6	6

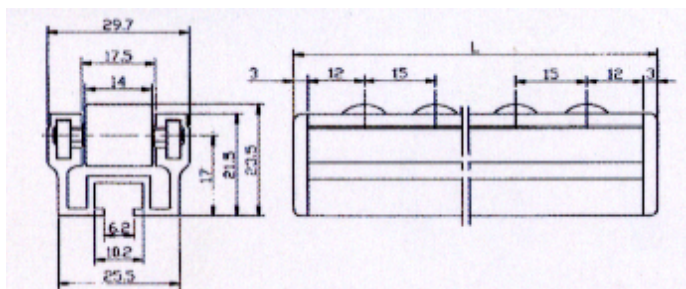
R28



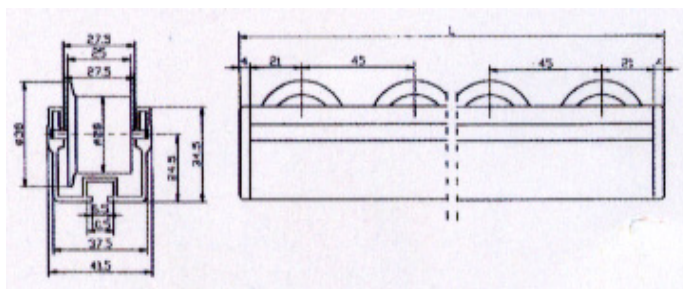
R32



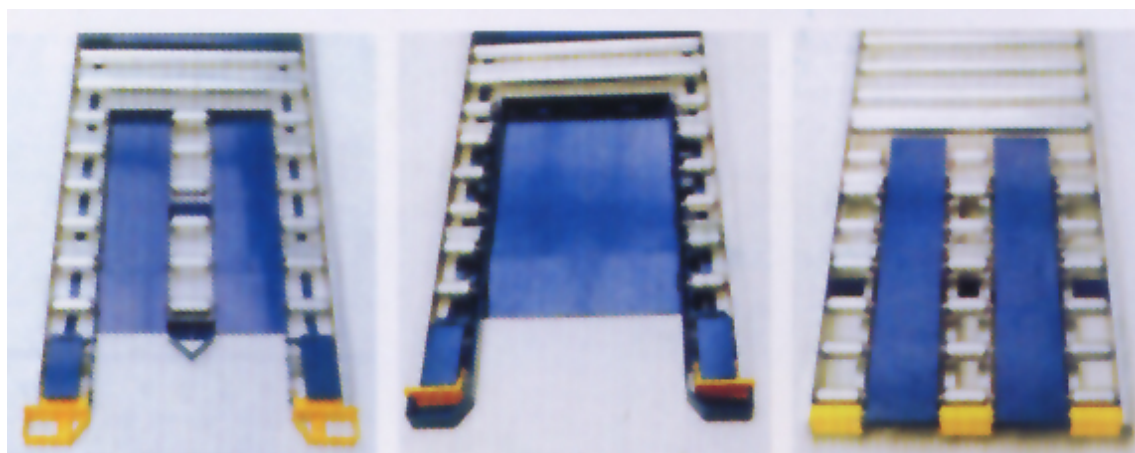
R13



R28D



Pallet Positioning



Hand operated fork lift picking

Battery operated fork lift picking

Drive in operation for hand operated fork lifts

11, VASTA HOUSE, GR. FLOOR, JANMABOOMI MARG,
FORT, MUMBAI - 400001, INDIA.

TEL: 91-22-22844307/22871995/22872449

FAX: 91-22-22873597/22870770

E-mail: info@wiperdrive.com, WEB SITE: www.wiperdrive.com