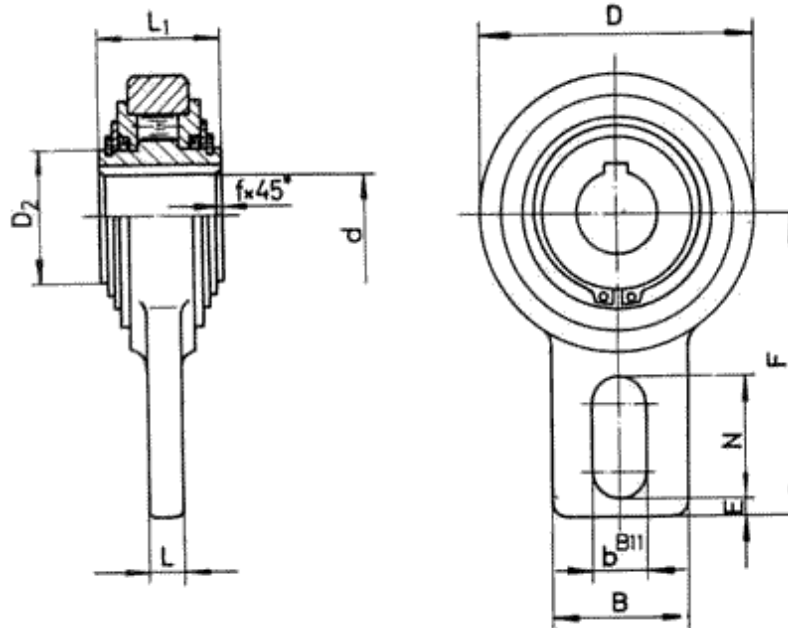




## BS TYPE



SIZE dH7 mm	TORQUE <sup>1</sup> TN Nm	OVERRUNNING SPEED <sup>2</sup> max RPM	D mm	D2 mm	L1 mm	Lmm	Bmm	Fmm	B11 bmm	Nmm	Emm	f mm	WEIGHT KG
20	460	450	83	42	35	12	40	90	15	35	5	0.8	1.3
25	460	450	83	42	35	12	40	90	15	35	5	0.8	1.3
30	2000	320	118	50	54	15	40	110	15	35	8	1	3.5
35	2000	320	118	60	54	15	40	110	15	35	8	1	3.4
40	2000	320	118	60	54	15	40	110	15	35	8	1	3.3
45	3000	280	155	90	54	15	40	140	18	35	10	1	5.5
50	3000	280	155	90	54	15	40	140	18	35	10	1	5.4
55	3000	280	155	90	54	15	40	140	18	35	10	1	5.3
60	3000	280	155	90	54	15	40	140	18	35	10	1	5.2
70	3000	280	155	90	54	15	40	140	18	35	10	1	5.0
80	5000	200	190	110	64	20	80	155	20	40	10	1.5	8.7

**KEYWAYS:** To Din 6885 page 1

1)When used as indexing clutch the torque  $t_{max} = 0.3 \times TN$

2)If higher speeds are required other than those listed please consult.