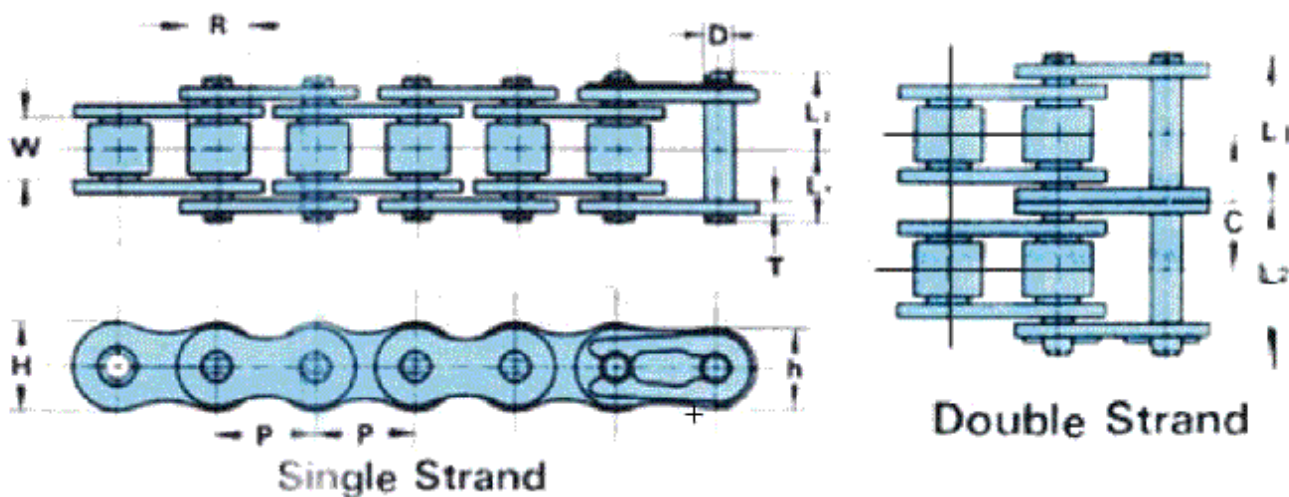




STAINLESS STEEL CHIAN AMERICAN STANDARD



Chain no	Pitch P	Roller dia R	Width bet Roller Link Plates W	PIN			LINK PLATE		Tranversa pitch C	Average Tensile Strength kgf	Maximum Allowable Load kgf	Approx Weight kgf
				D	L1	L2	T	H				
800 SERIES SINGLE STANDARD												
RS 40AS	12.70	7.94	7.95	3.97	8.25	9.95	1.5	12.0	--	1,350	70	0.64
RS50AS	15.875	10.16	9.53	5.09	10.3	12.0	2.0	16.0	--	2,150	105	1.04
RS60AS	19.05	11.91	12.70	5.96	12.85	14.75	2.4	18.1	--	3,100	160	1.63
RS90AS	26.4	15.88	16.88	7.94	16.2	19.6	3.2	24.1	--	5,500	270	2.68
300 SERIES SINGLE STANDARD												
	6.35	3.30	3.18	2.31	3.8	4.8	0.75	5.84	--	240	12	0.14
RS25SS	9.625	5.08	4.78	3.69	8.05	7.15	1.25	9.0	---	770	27	0.33
RS3688	12.70	7.94	7.95	3.97	8.25	9.65	1.5	12.0	--	1,200	45	0.84
RS4055	15.875	10.16	9.63	5.09	10.3	11.90	2.0	15.0	--	2,000	TD	1.04
RS5088	19.05	11.91	12.70	5.96	12.85	15.25	2.4	18.1	--	2,850	105	1.53
RS6055	25.4	15.88	16.88	7.94	16.2	19.6	3.2	24.1	--	6,200	180	2.68
RS9088	31.75	19.05	19.05	9.54	20.1	23.1	4.0	30.1	--	8,000	280	4.01
RS10055												
300 SERIES DOUBLE STANDARD												
RS35SS*2**	9.525	5.08	4.78	3.59	10.9	11.90	1.25	9.00	10.1	1,640	64	0.33
RS40SS*2***	12.70	7.94	7.95	3.07	15.45	17.15	1.5	12.0	14.4	2,400	90	1.27
RS50SS*2***	15.875	10.16	9.53	5.09	19.35	21.15	2.0	16.0	18.1	4,000	140	2.07
RS60SS*2***	19.05	11.91	12.70	5.96	24.25	26.75	2.4	18.1	22.8	5,700	210	3.04
RS90SS*2***	25.40	15.88	16.88	7.94	30.9	33.9	3.2	24.1	29.3	10,400	360	6.27
RS10088*2***	31.75	19.05	19.05	9.54	37.7	40.8	4.0	30.1	35.8	12,000	520	7.65

11, VASTA HOUSE, GR. FLOOR, JANMABOOMI MARG,
FORT, MUMBAI - 400001, INDIA.

TEL: 91-22-22844307/22871995/22872449

FAX: 91-22-22873597/22870770

E-mail: info@wiperdrive.com, WEB SITE: www.wiperdrive.com