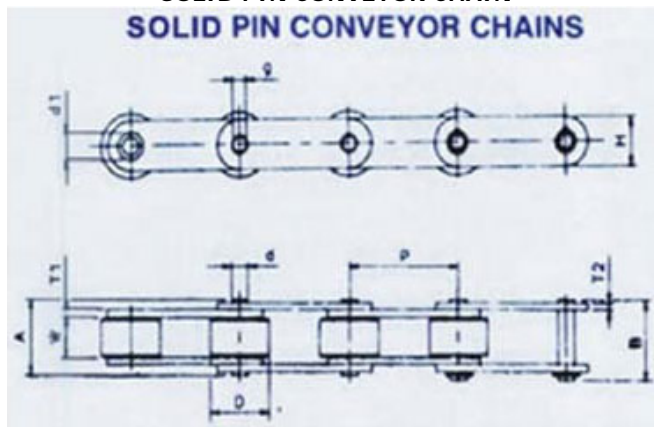




## SOLID PIN CONVEYOR CHAIN



Tidc Chain No.	Pitch(P)	Width between inner plates(W.min)	Roller Diameter (d.max)	Bush Diameter (d1)	Plate Height(H. Max)	Plate Thickness		Pin Diameter (d) (Max)	Width Over Bearing Pin (A.Max)	With OverJoint Fastener(B.Max)	Average Weight Per Metre (Kgs)	Tensile Strength (Min.)(kgf)
						Inner(T1)	Outer (T2)					
W08102	50.50	15.00	31.80	18.85	26.29	4.00	4.00	13.80	37.80	43.00	4.47	3,800
W10102	63.50										3.88	
W12102	76.20										3.65	
W16102	101.60										3.07	
W20102	127.00										2.08	
W24102	152.40										2.61	
W12103	76.20	19.05	47.62	25.20	36.00	5.56	4.00	18.26	46.80	51.40	7.46	10,000
W16103	101.60										6.20	
W20103	127.00										5.50	
W24103	125.40										5.03	
W28103	177.80										4.75	
WG32103	203.20										4.45	
W36103	228.60	4.28										
W16104	101.60	25.40	66.67	34.25	50.80	5.00	26.92	26.92	57.60	61.60	13.46	17,000
W20104	127.00										11.77	
W24104	152.40										10.50	
W28104	177.80										9.75	
W23104	203.20										9.00	
W40101	254.00										8.12	

11, VASTA HOUSE, GR. FLOOR, JANMABOOMI MARG,  
FORT, MUMBAI-400001, INDIA.

TEL: 91-22-22844307/22871995/22872449

FAX: 91-22-22873597/22870770

E-mail: [info@wiperdrive.com](mailto:info@wiperdrive.com), WEB SITE: [www.wiperdrive.com](http://www.wiperdrive.com)