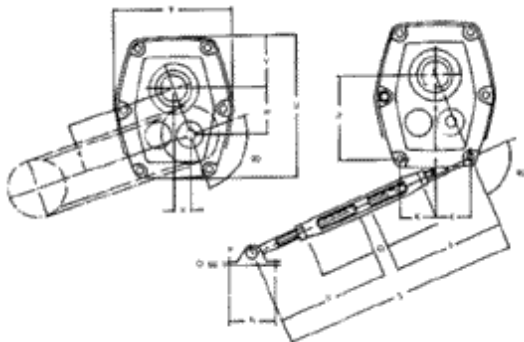




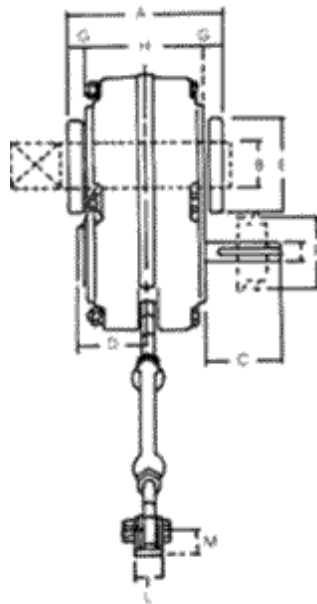
SHAFT MOUNTED SPEED REDUCER



Shaft Mounted Speed Reducer				
Reducer Size	Standard Hub Bore	Bush Bores for Standard Hub	Alternative Hub Bore	Bush Bores for Alternative Hub
B05				3511/4"
B13	30	251"	40	32
B20				
C05		3511/4"		4513/4"
C13	40	32	50	4211/2"
C20		30		38
D05		4513/4"		
D13	50	4211/2"	55	232"
D20		4011/4"		
E05		38		
E13	55m	502"	65	6021/4"
E20		4513/4"		
F05		4211/2"		7023/4"
F13	65	6021/4"	75	21/2"
F20		552"		
G05		50		
G13	75	7023/4"	85	803"
G20		6521/4"		
H05		6021/4"		
H13	85	803"	100	9531/2"
H20		7523/4"		90
J05		7021/2"		
J13	100	9531/2"	120	11041/2"
J20		90		4



Size	P	Q	R	S		T	U	V	W	X	Y	L	Exact Gear Ratio		
				Min	Max								5	13	20
B	10	200	600	600	750	186	226	81	75	25	79	B	5.05	13.98	20.997
C	10	200	600	600	750	218	270	96	90	31	95	C	5.05	13.6	20.466
D	12	216	700	700	850	258	328	117	110	37	95	D	5.05	13.59	20.456
E	12	216	700	750	850	278	377	129	125	43	133	E	5.05	13.59	20.456
F	16	216	750	750	900	317	414	143	141	50	150	F	5.05	13.59	20.456
G	16	216	750	750	900	365	468	162	156	56	166	G	5.05	13.59	20.456
H	16	222	750	750	900	434	550	195	189	62	200	H	5.05	13.59	20.456
J	16	222	750	750	900	542	700	254	255	75	266	J	5.05	13.59	20.456



L	M	N	O
24	20	65	5
24	20	65	5
28	24	75	5
28	24	75	5
34	30	100	6
34	30	100	6
70	50	121	17.5
70	50	121	17.5

11, VASTA HOUSE, GR. FLOOR, JANMABOOMI MARG,
FORT, MUMBAI-400001, INDIA.

TEL: 91-22-22844307/22871995/22872449

FAX: 91-22-22873597/22870770

E-mail: info@wiperdrive.com, WEB SITE: www.wiperdrive.com