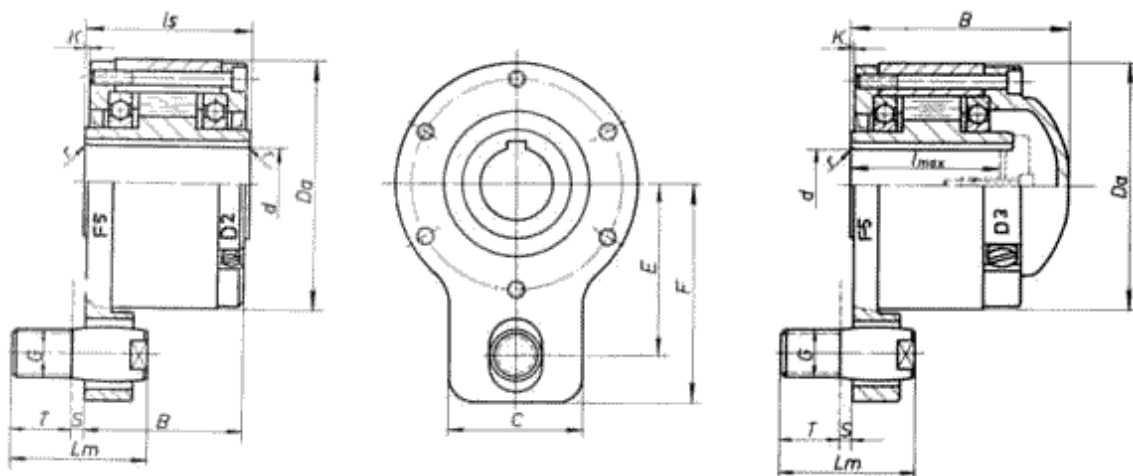




PLK TYPE F7- D7



SIZE dH7 mm	NOMINAL TORQUE ¹ TN Nm	max ² . INNERRACE RPM	Da mm	ls mm	F5- D2	F5- D3	Cmm	Emm	Fmm	G	Lm mm	Smm	Tmm	Kmm	r mm	IMAXmm
					Bmm	Bmm										
12	29	2400	62	42	40	57	35	44	58	M12	40	5	15	1	0.5	38
15	50	1800	68	52	50	66	35	47	62	M12	40	5	15	1	0.8	48
20	84	1500	75	57	55	72	45	54	74	M16	46	5	20	1	0.8	53
25	124	1300	90	60	58	75	45	62	82	M16	46	5	20	1	1	55
30	230	1150	100	68	66	83	55	68	90	M20X2	56	5	25	1	1	63
35	290	1000	110	74	71	88	55	76	98	M20X2	56	6	25	1.5	1	69
40	490	900	125	86	83	102	65	85	110	M24X2	62	6	30	1.5	1.5	80
45	670	800	130	86	83	102	65	90	115	M24X2	62	6	30	1.5	1.5	80
50	1100	750	150	92	83	110	75	102	132	M30X2	75	6	35	2	1.5	86
55	1250	650	160	104	100	122	75	108	138	M30X2	75	6	35	2	2	97
60	1800	600	170	114	110	136	80	112	145	M30X2	75	6	35	2	2	107
70	2650	500	190	134	130	157	90	135	172	M36X2	100	6	45	2	2.5	127
80	4000	400	210	144	140	166	100	145	185	M40X2	105	6	50	2	2.5	137
90	7500	300	230	158	153	183	120	155	200	M48X2	120	7	55	2.5	3	150
100	9500	250	270	182	176	210	130	180	230	M52X2	135	8	60	3	3	172
120	13900	180	310	202	196	230	160	205	260	M60X2	140	8	65	3	4	192
150	27000	120	400	246	240	278	190	255	315	M72X2	165	8	75	3	4	236

KEYWAYS :TO DIN 6885 PAGE 1

1)T max IS 2.5 x NOMINAL TORQUE (TN) FOR SHORT PERIODS ONLY.

2)THE MAXIMUM OVERRUNNING SPEEDS ARE OIL BATH LUBRICATIONS ONLY.

FOR PRESSURE LUBRICATION 150% OF INDICATED SPEEDS.

IF HIGHER SPEEDS ARE REQUIRED OTHER THAN THOSE LISTED PLEASE CONSULT.

WHEN ORDERING PLEASE INDICATED DIRECTION OF ROTATION :

-R- WHEN VIEWED FROM COVER D2 INNER RACE OVERRUNS IN ARE CLOCKWISE DIRECTION

FREEWHEEL WITH SPECIALS BORE SIZES ARE AVAILABLE.

11,VASTA HOUSE,GR.FLOOR,JANMABOOMI MARG,
FORT ,MUMBAI -400001 ,INDIA.

TEL:91-22-22844307/22871995/22872449

FAX:91-22-22873597/22870770

E-mail:info@wiperdrive.com,WEB SITE:www.wiperdrive.com