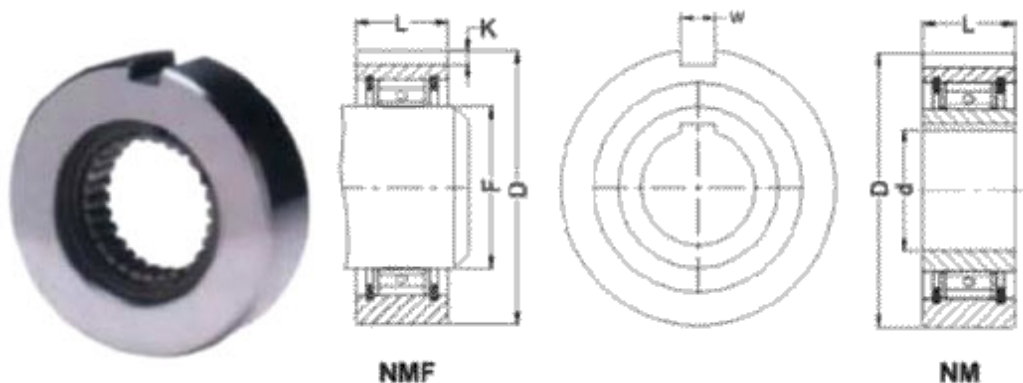




NM/NMF TYPE CLUTCHES



-OIL /GREASED FILLED,READY TO FIT.

-TRANSMIT TORQUE (POWER) in one directions, opposite free.

-Contains individually spring loaded rollers ,ball bearing support.

Function:-Feeding.

-Indexing

-Back stopping

-Overrunning

CODENO.	DH7		F	D	L	K	W	TORQUE
	OVER	UPTO						
NM 17/NMF	12	16	35	65	30	3	6	130
NM 25/NMF	17	25	45	90	30	5	10	410
NM 35/NMF	25	35	55	115	35	6	12	585
NM 45/NMF	35	45	70	125	45	6	12	920
NM 60/NMF	45	60	85	145	50	6	12	1530

All dimensions are in m.m

Other sizes on request.

Dimensions/Design subject to modifications.

Shaft must be hardened & ground if selected NMF

Shaft dia is to be controlled within h6/ j6.

11,VASTA HOUSE,GR.FLOOR,JANMABOOMI MARG,
FORT ,MUMBAI -400001 ,INDIA.

TEL:91-22-22844307/22871995/22872449

FAX:91-22-22873597/22870770

E-mail:info@wiperdrive.com,WEB SITE:www.wiperdrive.com