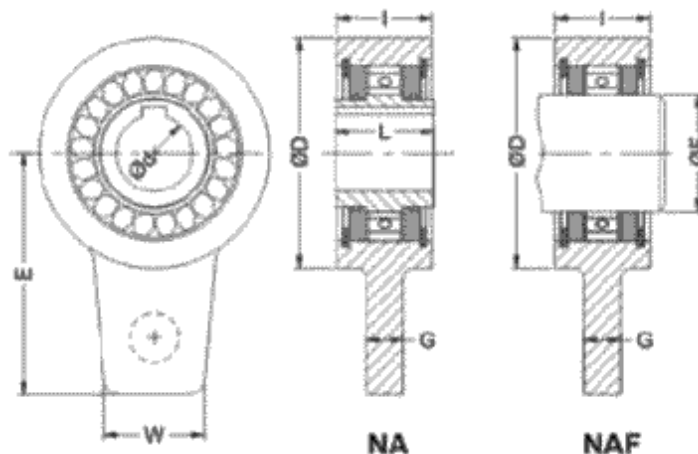




NA/NAF TYPE CLUTHES



-OIL /GREASED FILLED,READY TO FIT.

-TRANSMIT TORQUE (POWER) in one directions,
opposite free.

-Contains individually spring loaded rollers ,ball bearing
support.

Function:-Feeding.

-Indexing

-Back stopping

-Overrunning

CODENO.	DH7		F	D	I	L	G	E	W	TORQUE Nm
	OVER	UPTO								
NA12/NAF	-	12	21	52	24	25	10	80	30	65
NA20/NAF	15	20	33	68	24	25	10	85	30	160
NA25/NAF	20	25	39	73	34	35	12	90	35	220
NA35/NAF	25	35	51	88	34	35	12	105	35	450
NA42/NAF	38	50	68	102	43	45	16	115	50	630
NA65/NAF	50	65	88	137	58	60	18	160	60	1530
NA85/NAF	70	85	108	167	78	80	20	180	80	2440

All dimensions are in m.m

Other sizes on request.

Dimensions/Design subject to
modifications.

Shaft must be hardened & ground if
selected NBF

Shaft dia is to be controlled within h6/
j6.

11,VASTA HOUSE,GR.FLOOR,JANMABOOMI MARG,
FORT ,MUMBAI-400001 ,INDIA.

TEL:91-22-22844307/22871995/22872449

FAX:91-22-22873597/22870770

E-mail:info@wiperdrive.com,WEB SITE:www.wiperdrive.com