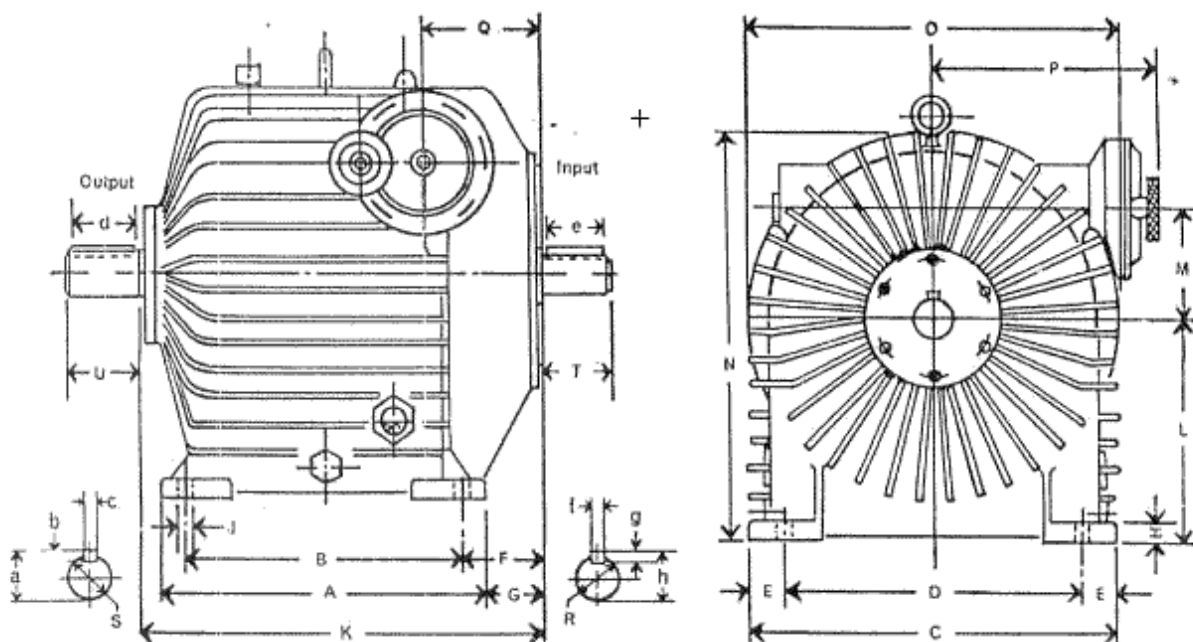




K TYPE SPECIFICATION



CONTROL ATTACHMENT

*HAND WHEEL CONTROL-KC-1(PINION & GEAR TYPE)

* FINE MECHANICAL HAND WHEEL CONTROL-KC-2(WORM & WORM WHEEL TYPE)

MODEL	DRIVE RATINGS
K-1	0.5HP-1 HP
K-2.5	1 HP- 3 HP
K-6	3 HP-5 HP
K-16	7.5 HP -20HP
K-30	20 HP-25 HP

SIZE	MOUNTING										BODY					
	A	B	C	D	E	F	G	H	J	K	L	M	N	O	P	Q
K50	460	380	475	380	47.5	94	54	30	18	564	300	155	561	523	295	145
K30	400	340	450	360	45	100	70	25	18	491	280	132	509	410	296	145
K16	285	245	372	300	36	70	50	25	16	362	212	120	416	408	270	117
K6	265	230	305	270	17.5	54.5	37	24	13	320	180	95	350	340	252	102
K2.5	235	205	252	200	26	17	2	20	13	242	150	78	278	278	197	58
K1.0	180	155	180	155	12.5	15	25	14	8	185	100	-	200	210	132	85
SIZE	SHAFT				KEY								NET WEIGHT			
	Rh6	Sh6	T	U	a	b	c	d	e	f	g	h				
K50	50	55	80	100	60	10	16	80	70	14	10	55	296KG			
K30	50	50	80	87	55	10	16	80	70	16	10	55	194KG			
K16	40	45	75	80	49	9	14	70	65	12	8	43.5	120KG			
K6	30	35	52	65	38.5	8	10	55	45	8	7	33	86KG			
K2.5	25	30	45	50	33	7	8	36	36	8	7	28	50KG			
K1.0	14	15	30	30	17	5	5	25	25	5	5	16	20KG			
OIL CAPACITY OF VARIATORS		SPECIFICATION & RECOMMENDED OIL														
SIZE	HORIZONTAL	VERTICAL	THE OIL MUST HAVE FOLLOWING SPECIFICATIONS:													
50			VISCOSITY AT 50°C=1.6-2.2°E													
30			SOLIDIFICATION POINT =AT LEAST-20°C													
16	3.20 LITERS	5.5 LITERS	RECOMMENDED OIL: (1) CALTEX=SPINTEX 60													
6	1.80 LITERS	3.0 LITERS	(2)ESSO =SPINESSO 34													
2.5	1.20 LITERS	1.8 LITERS	(3)SHELL=TELLUS 15													
1.0	0.35 LITERS	0.5 LITERS														

11, VASTA HOUSE, GR. FLOOR, JANMABOOMI MARG,
FORT, MUMBAI - 400001, INDIA.

TEL: 91-22-22844307/22871995/22872449

FAX: 91-22-22873597/22870770

E-mail: info@wiperdrive.com, WEB SITE: www.wiperdrive.com