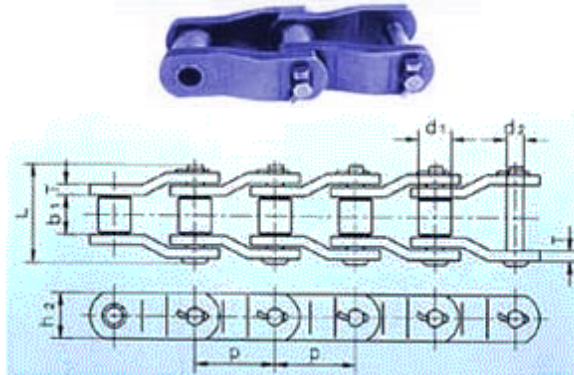
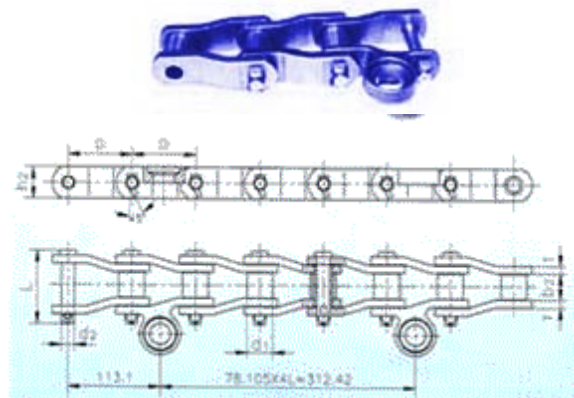




## HEAVY DUTY CRANKED LINK TRANSMISSION CHAINH



Chain no	Pitch p mm	Roller diameter d1 max mm	Width bet inner plates b1 min mm	Pin diameter d2 max mm	Pin length L max mm	Plate depth h2 max mm	Plate thickness tT max mm	Ultimate tensile strength Q min kn	Average tensil strength Qo kn	Weight per meter q kg/m
2010	63.50	31.75	38.10	15.90	90.7	47.8	7.9	250.0	270.0	14.00
2512	77.90	41.28	39.60	19.05	100.0	57.0	9.7	340.0	367.0	18.40
2814	88.90	44.45	38.10	22.25	117.6	60.5	12.7	470.0	507.6	25.10
3315	103.45	45.24	49.30	23.85	134.9	63.5	14.2	550.0	594.0	27.30
3618	114.30	57.15	52.30	27.97	141.2	79.2	14.2	760.0	820.8	38.20
4020	127.00	63.50	69.90	31.78	161.1	91.9	15.7	990.0	1069.2	52.10
MXS882	66.27	22.23	28.58	11.10	68.5	28.5	6.4	115.6	124.8	5.30
MXS3075	78.10	31.75	38.10	16.46	93.5	44.5	9.7	334.0	360.7	13.45
MXS1242	103.20	44.45	49.20	22.23	124.5	57.0	12.8	623.0	672.8	24.63



Chain no.	Pitch P mm	Roller diameter d1 max mm	Width bet inner plates b1 min mm	Pin diameter L max mm	Pin lenght L max mm	plate depth h2 max mm	Plate thickness t/T max mm	Ultimate tensile strength Q min kn	Average tensile strength Q0 kn
SS40SL	78.105	31.78	31.75	15.90	89.15	38.0	9.5	250.0	266.88

11, VASTA HOUSE, GR. FLOOR, JANMABOOMI MARG,  
FORT, MUMBAI - 400001, INDIA.

TEL: 91-22-22844307/22871995/22872449

FAX: 91-22-22873597/22870770

E-mail: [info@wiperdrive.com](mailto:info@wiperdrive.com), WEB SITE: [www.wiperdrive.com](http://www.wiperdrive.com)