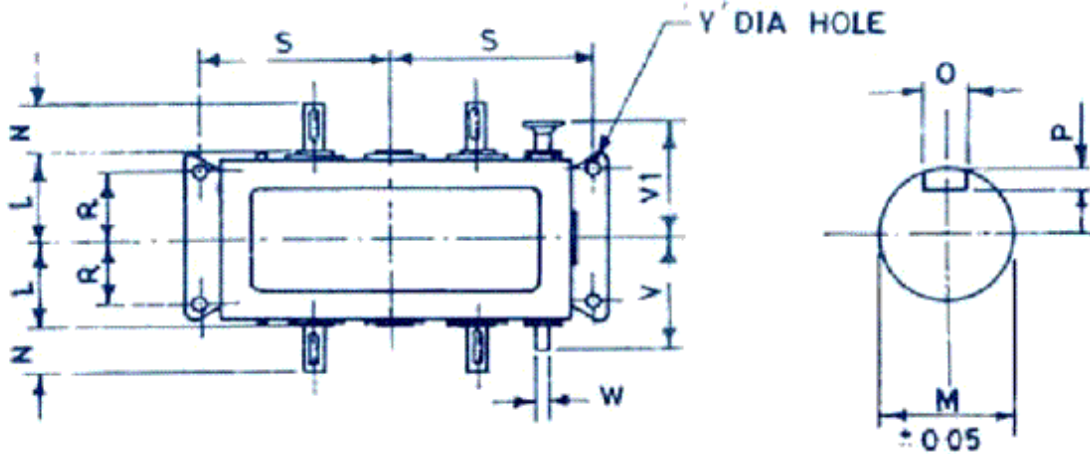




## GEARBOX U METRIC SERIES



TYPE	SHAFT											MOUNTING					CONTROL SCREW		W			
	A	B	C	D	E	F	G	H	K	L	M	N	O	P	R	S	T	U		Y	Z	V
1u	384	173	160	247	90	112	27	130	12	100	25	60	8	4	15	212	187	50	12	17	120	10
2u	465	220	190	280	100	135	35	150	12	127	25.4	80	8	4	100	252	235	60	15	20	150	15
5u	930	435	415	485	195	260	75	250	10	242	48	145	12	6	250	380	565	80	18	30	285	15

11, VASTA HOUSE, GR. FLOOR, JANMABOOMI MARG,

FORT, MUMBAI - 400001, INDIA.

TEL: 91-22-22844307/22871995/22872449

FAX: 91-22-22873597/22870770

E-mail: [info@wiperdrive.com](mailto:info@wiperdrive.com), WEB SITE: [www.wiperdrive.com](http://www.wiperdrive.com)