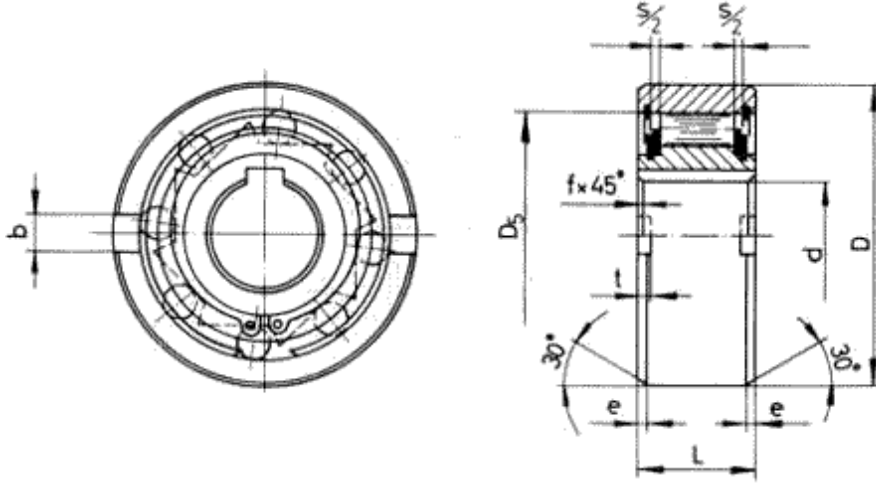




PE TYPE



SIZE dH7 mm	NOMINAL TORQUE ¹ Tn Nm	OVERRUNNING SPEED ²		Dn6 mm	Lmm	D 5mm	D 6 mm	D3 mm	Z	Omm	f mm	s mm	WEIGHT kg
		max INNERRACE RPM	max OUTERRACE RPM										
12	9.5	3100	6200	47	20	28	20	38	3	5.5	0.5	3	0.21
15	30	2300	5600	55	30	37	26	45	3	5.5	0.8	3	0.44
20	85	2000	4800	68	34	50	35	58	4	5.5	0.8	3	0.70
25	124	1700	400	90	37	68	45	78	6	5.5	1	4	1.30
30	230	1500	3400	100	44	75	50	87	6	6.6	1	4	2.00
35	290	1300	2800	110	48	80	55	96	6	6.6	1	4	2.60
40	490	1200	2500	125	56	90	60	106	6	9	1.5	4	3.90
45	670	1050	2200	130	56	95	65	112	8	9	1.5	4	4.00
50	1100	950	2050	150	63	110	78	132	8	9	1.5	5	6.00
55	1250	850	1950	160	67	115	82	138	8	11	2	5	7.20
60	1800	800	1800	170	78	125	90	150	10	11	2	6	9.20
70	2650	650	1700	190	95	140	100	165	10	11	2.5	11	11.8
80	4000	500	1500	210	100	160	115	185	10	11	2.5	14	15.6
90	7500	400	1300	230	115	180	130	206	10	14	3	15	24.7
100	9500	350	1150	270	120	210	150	240	10	18	3	7	35.8
120	13900	230	900	310	140	240	180	278	12	18	4	10	54.3
150	27000	160	600	400	180	310	230	360	12	22	4	16	116
200	70000	125	460	520	240	400	260	460	18	26	5	16	267
250	136000	100	380	610	300	480	320	545	20	33	5	30	431

KEYWAYS: TO DIN 6885 PAGE 1

1) T MAX IS 2.5 x NOMINAL TORQUE (Tn) FOR SHORT PERIODS ONLY.

2) THE INDICATED MAXIMUM OVERRUNNING (IDLING) SPEED ARE VALID FOR PRESSURE LUBRICATION ONLY. FOR OIL BATH LUBRICATION 65% OF INDICATED SPEEDS. IF HIGHER SPEEDS ARE REQUIRED OTHER THAN THOSE LISTED PLEASE CONSULT

THIS TYPE OF FREEWHEEL DONOT HAVE THE BEARINGS, HENCE THE OUTER AND INNER RACES MUST BE PRECISELY CENTERED AND ALIGNED WITH RESPECT TO EACH OTHER BY PROVIDING EXTERNAL BEARING SUPPORT.

WHILE INSTALLING, A CARE SHOULD BE TAKEN THAT THERE IS NO RELATIVE AXIAL TORCE BETWEEN INNER AND OUTER RACES OF FREEWHEEL. PRESS IN AND REMOVAL OF INNER AND OUTER RACE SHOULD BE DONE SIMULTANEOUSLY.

FOR INDEXING APPLICATIONS. FREEWHEEL CAN BE SUPPLIED WITH STRONGER 'V' OR 'VV' SPRINGS. THE BEST INDEXING ACCURACY IS REACHED BY USING LUBRICATING OILS WITH A LOW VISCOSITY OF ABOUT 12 mm²/sec AT OPERATING TEMPERATURE.

11, VASTA HOUSE, GR. FLOOR, JANMABOOMI MARG,
FORT, MUMBAI - 400001, INDIA.

TEL: 91-22-22844307/22871995/22872449

FAX: 91-22-22873597/22870770

E-mail: info@wiperdrive.com, WEB SITE: www.wiperdrive.com