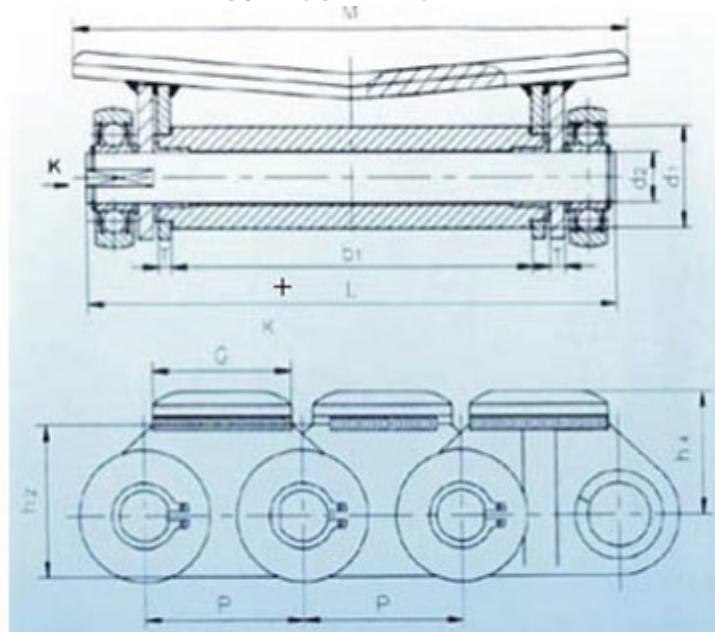




63PF CONVEY CHAIN



Chain No.	Pitch	Bush Dia	Width between Inner plates	Pin DIA	Pin length	Plate Depth	Plate thickness	Attachment Dimensions			Ultimate tesile Strength	Average tensile strength
	mm	d1 mm	b1 min mm	d2 mx mm	L max mm	h2 max mm	T max mm	M mm	G mm	h4 mm	Q min KN	Q0 KN
63 pf	63.0	40.0	142.0	25.00	210.0	60.0	6.0	220.50	55.0	49.99	160.0	176.0

11, VASTA HOUSE, GR. FLOOR, JANMABOOMI MARG,
FORT, MUMBAI - 400001, INDIA.

TEL: 91-22-22844307/22871995/22872449

FAX: 91-22-22873597/22870770

E-mail: info@wiperdrive.com, WEB SITE: www.wiperdrive.com