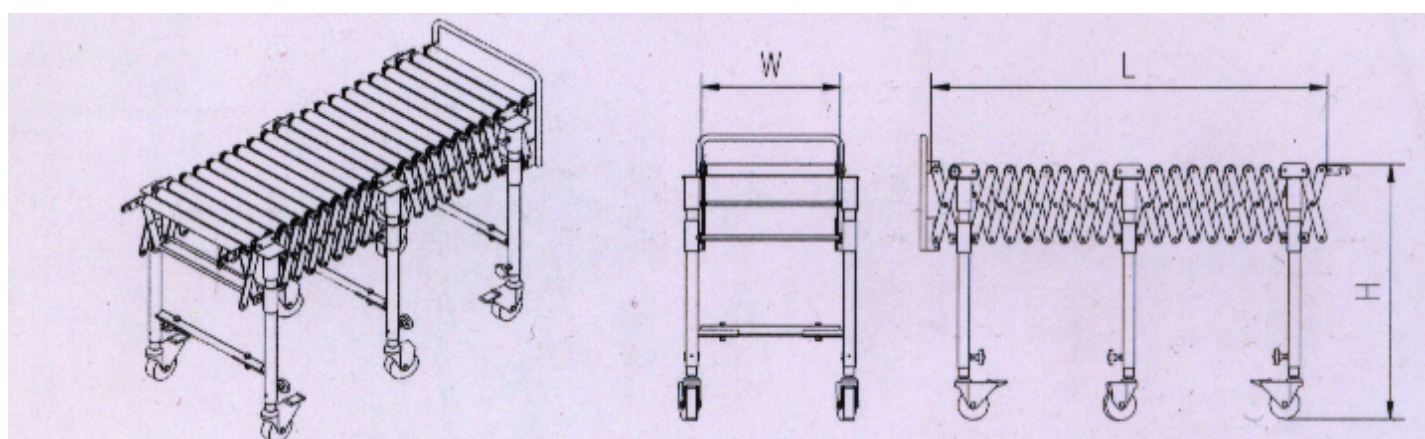




## FZA Single Roller Flex Conveyor



### Parameter List

Ø38 roller flex-conveyor					
Code Name	Units	Extended Length (L)	Width (W)	Height (H)	Loading Per unit(KG)
FZA-38-45X1	1	5BO-1350	450	800~1000	60(without impact)
FZA-38-45X2	2	940-2350			
FZA-38-45X3	3	1 320-3350			
FZA-38-45X4	4	1 700-4350			
FZA-38-15X5	5	2080-5350			
FZA-38-45X6	6	2460-6350			
FZA-38-50X1	1	560-1350	500	800-1000	60 (without impact]
FZA-38-50X2	2	940-2350			
FZA-38-50X3	3	1 320-3350			
FZA-38-50X4	4	1 700-4350			
FZA-38-50X5	5	20BO-53SO			
FZA-38-50X6	6	2460-6350			
FZA-38-60X1	1	560-1350	600	800~000	60 (without impact]
FZA-38-60X2	2	940-2350			
FZA-38-60X3	3	1 320-3350			
FZA-38-60X4	4	1 700-4350			
FZA-38-60X5	5	2080-5350			
FZA-38-60X6	B	2460-6350			

### Ø50 roller Flex-Conveyor

Code Name	Units	Extended Length (L)	Width (W)	Height (H)	Loading Per unit (KG)
FZA-50-45X1	1	700-1360	450	800~ 1000	70 (without impact]
FZA-50-45X2	2	1 1 80-2350			
FZA-50-45X3	3	1 660-3360			
FZA-50-45X4	4	2140-4360			
FZA-50-45X5	5	2620-5360			
FZA-50-45X6	6	3100-6360			
FZA-50-50X1	1	700-1 360	500	800~1000	70 (without impact)
FZA-50-50X2	2	1180-2350			
FZA-50-50X3	3	1660-3360			
FZA-50-50X4	4	2140-4360			
FZA-50-50X5	5	2620-5360			
FZA-50-50X6	6	3100-6360			
FZA-50-60X1	1	700-1 360	600	800~1000	70 (without impact)
FZA-50-BOX2	2	1180-2350			
FZA-50-BOX3	3	1660-3360			
FZA-50-60X4	4	2140-4360			
FZA-50-BOX5	5	2620-5360			
FZA-50-60X6	6	3100-6360			

11, VASTA HOUSE, GR. FLOOR, JANMABOOMI MARG,  
FORT, MUMBAI - 400001, INDIA.

TEL: 91-22-22844307/22871995/22872449

FAX: 91-22-22873597/22870770

E-mail: [info@wiperdrive.com](mailto:info@wiperdrive.com), WEB SITE: [www.wiperdrive.com](http://www.wiperdrive.com)